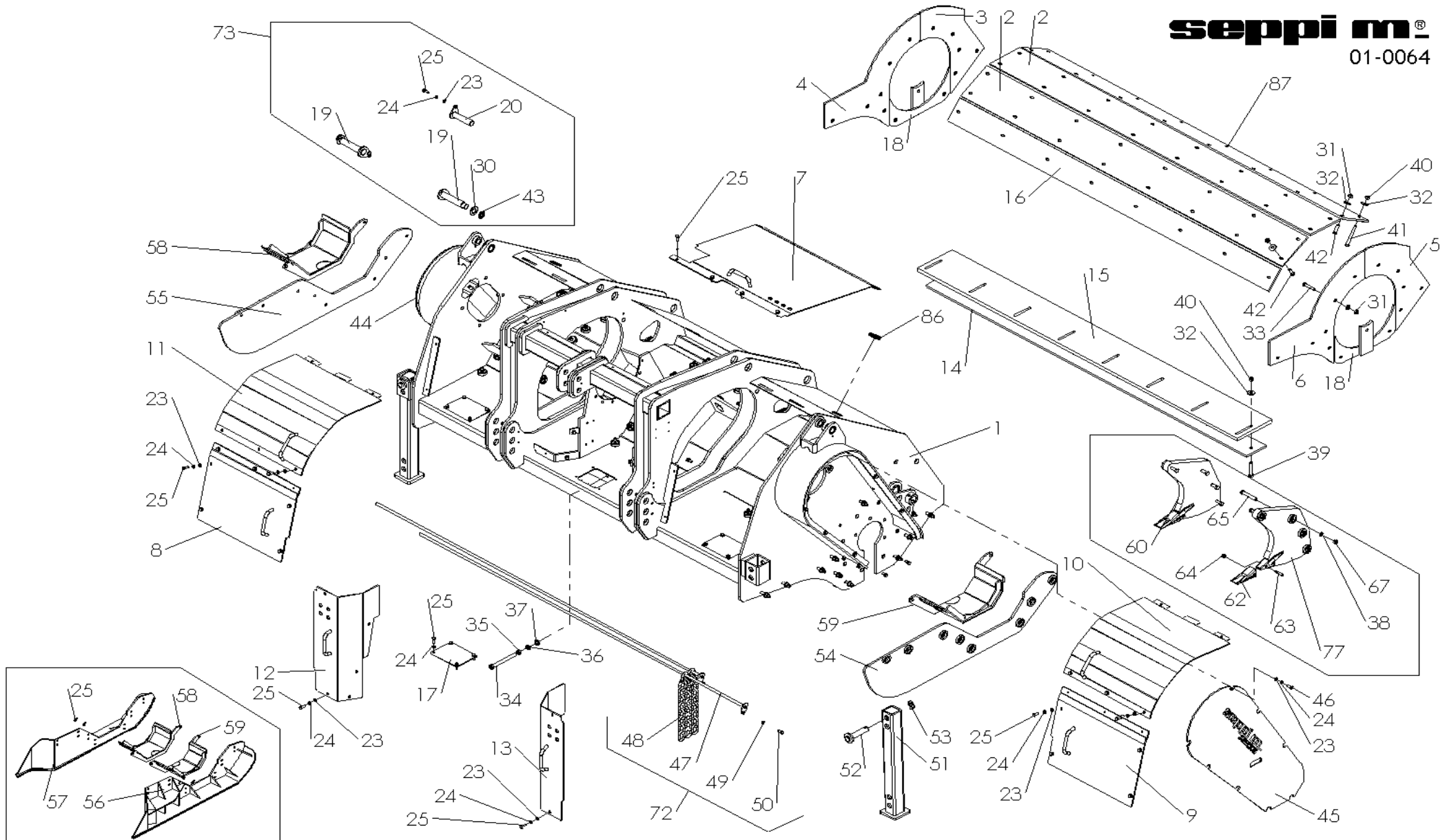


**SPARE PARTS LIST**  
LISTINO RICAMBI / ERSATZTEILLISTE / LISTE DE PIECES DE RECHANGE / LISTADO DE REPUESTOS

**M511720003 - SUPERSOIL L=250 469 018 025 049 138 008**

Code	Description	Descrizione	Beschreibung	Description	Descripción
01-0064	Frame	telaio	Rahmen	Chassis	Chasis
02-0046A	Rotor ULTRA OPT 469	rotore ULTRA OPT 469	Rotor ULTRA OPT 469	Rotor ULTRA OPT 469	Rotor ULTRA OPT 469
03-0117A	Transmission	trasmissione	Antrieb	Transmission	Transmision
03-0142	Alignment of the PTO shaft ADAM OPT 138	allineamento del cardano ADAM OPT 138	Neigungsanpassung des Getriebes ADAM OPT 138	Alignment du Boitier ADAM OPT 138	Alineación del cardàn ADAM OPT 138
03-0151	Gearbox Comer with FW and pump flange 1000 rpm 17203095/17203097	moltiplicatore Comer con RL e att. pompa 1000 rpm 17203095/17203097	Getriebe Comer mit FL und pumpen Anb. 1000 rpm 17203095/17203097	Boitier Comer avec RL et att.pompe 1000 rpm 17203095/17203097	Caja engranajes Comer con RL y ench. bomba 1000 rpm 17203095/17203097
08-0010	Hood	cofano	Haube	Capot	Capó
11-0002	Document container	contenitore documenti	Dokumentenbehälter	Conteneur de documents	Contenedor de documentos
12-0107A	Hydraulic cooling plumbing	Impianto idraulico X raffreddamento centrale	Hydraulische Kühlanlage	Installation hydraulique refroidissement	Instalacion hiraulica enfriamiento
15-0012	Compacting roller OPT 335	rullo d'appoggio OPT 335	Festigungswalze OPT 335	Rouleau compacteur OPT 335	Rodillo compactador OPT 335

Frame                      telaio                      Rahmen                      Chassis                      Chasis

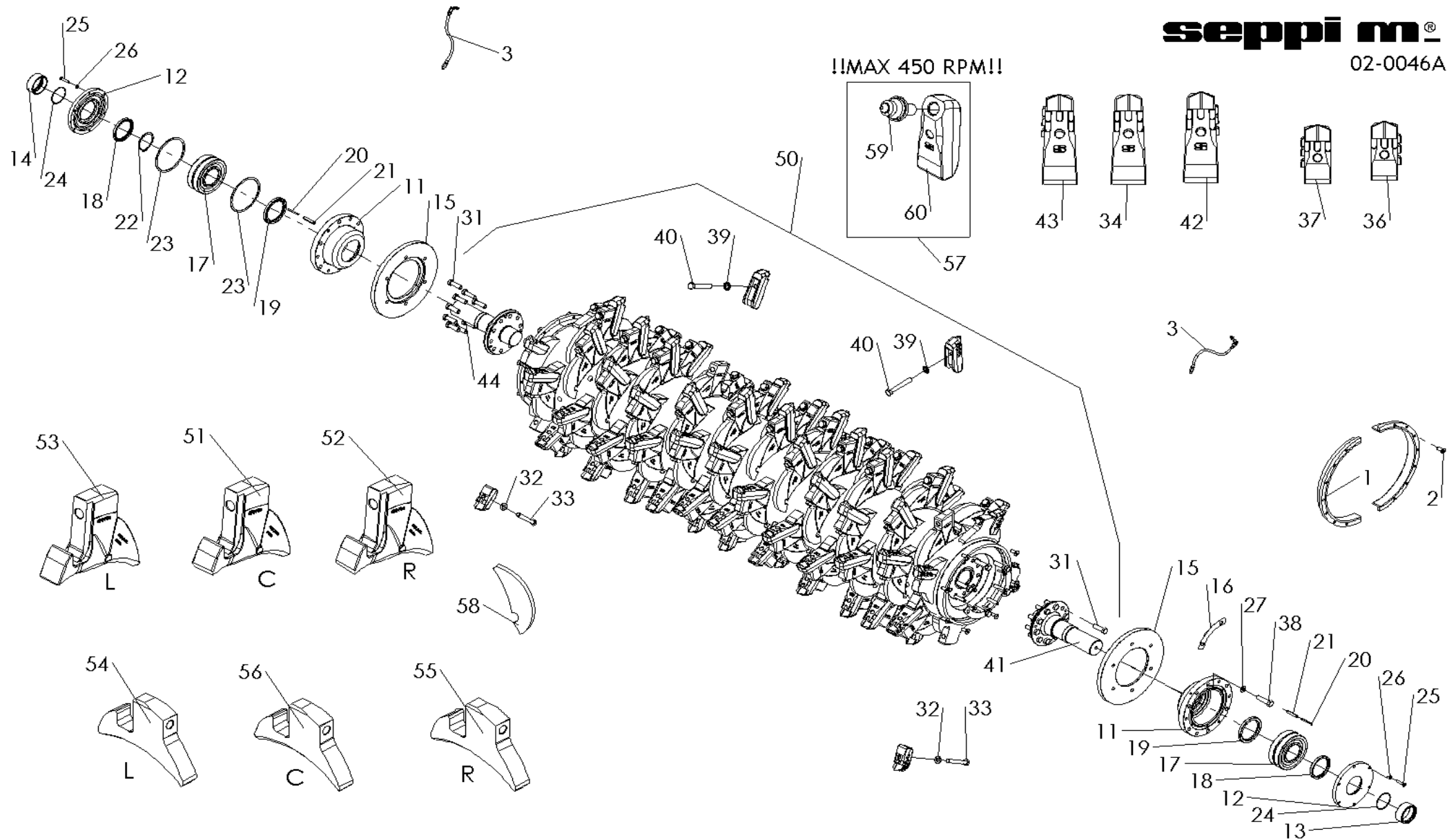


Pos.	Code	Descrizione	Description	Beschreibung	Description	Descripción	Quantity
001	17201077	TELAIO CPL SUPERSOIL L=250	FRAME CPL SUPERSOIL L=250	KPL. RAHMEN SUPERSOIL L=250	CHASSIS CPL SUPERSOIL L=250	CHASIS CPL SUPERSOIL L=250	1
002	17201162	PIATTO ANTIUSURA L=2460 CON NASI	WEARPLATE FOR COUNTERSUNK BOLTS L=2460	VERSCHLIESSPLATTE L=2460 FUER SENKSCHR.	PLAQUE ANTI-USURE VIS A TÊTE FR. L=2460	PLACA ANTI-DESG. TORN. AVELLANADO L=2460	2
003	17201156	PIASTRA ANTIUSURA POSTERIORE CON NASI DX	REAR WEAR RESISTANT PLATE WITH NOSES	HINTERE VERSCHLEISSCHUTZPL. M. NASE RE	PLAQUE ANTI-USURE ARRIERE NEZ DROITE	PLACA DESGASTE TRASERA CON CABEZAS DCH	1
004	17201154	PIASTRA ANTIUSURA ANTERIORE DX	RIGHT FRONT WEAR RESISTANT PLATE	VORDERE VERSCHLEISSCHUTZPLATTE RE	PLAQUE ANTI-USURE AVANT DROITE	PLACA DE DESGASTE DELANTERA DCH	1
005	17201155	PIASTRA ANTIUSURA POSTERIORE CON NASI SX	L REAR WEAR RESISTANT PLATE WITH NOSES	HINTERE VERSCHLEISSCHUTZPL. M. NASE LI	PLAQUE ANTI-USURE ARRIERE NEZ GAUCHE	PLACA DESGASTE TRASERA CON CABEZAS IZQ	1
006	17201153	PIASTRA ANTIUSURA ANTERIORE SX	LEFT FRONT WEAR RESISTANT PLATE	VORDERE VERSCHLEISSCHUTZPLATTE LI	PLAQUE ANTI-USURE AVANT GAUCHE	PLACA DE DESGASTE DELANTERA IZQ	1
007	17210010	COPERCHIO CENTRALE SUP CPL	UPPER CENTRAL COVER CPL	KPL. DECKEL ZENTR. HALTERUNG	COUVERCLE CENTRAL SUP CPL	TAPA CENTRAL SUP CPL	1
008	17201088	COPERCHIO LAT SMONTABILE CPL DX 250 11	REMOVABLE RH SIDE COVER CPL 250 11	KPL. DECKEL SEITL. DEMONT. RX 250 11	COUVERCLE LAT DÉMONTABLE CPL D. 250 11	TAPA LAT DESMONTABLE CPL DER 250 11	1
009	17201090	COPERCHIO LAT SMONTABILE CPL SX 250 11	REMOVABLE LH SIDE COVER CPL 250 11	KPL. DECKEL SEITL. DEMONT. LX 250 11	COUVERCLE LAT DÉMONTABLE CPL G. 250 11	TAPA LAT DESMONTABLE CPL IZQ 250 11	1
010	17210021	COPERCHIO LAT SX 250 CPL	LH SIDE COVER 250 CPL	KPL. DECKEL SEITL. LINKS 250	COUVERCLE LAT GAUCHE 250 CPL	TAPA LAT IZQ 250 CPL	1
011	17210023	COPERCHIO LAT DX 250 CPL	RH SIDE COVER 250 CPL	KPL. DECKEL SEITL. RECHTS 250	COUVERCLE LAT DROIT 250 CPL	TAPA LAT DER 250 CPL	1
012	17201084	COPERCHIO ANTERIORE DX CPL CENTRALE 11	RH CENTRAL FRONT COVER CPL 11	KPL. DECKEL VORN RECHTS ZENTR. 11	COUVERCLE ANTÉRIEUR DROIT CPL CENTRAL 11	TAPA ANTERIOR DER CPL CENTRAL 11	1
013	17201085	COPERCHIO ANTERIORE SX CPL CENTRALE 11	LH CENTRAL FRONT COVER CPL 11	KPL. DECKEL VORN LINKS ZENTR. 11	COUVERCLE ANTÉRIEUR G. CPL CENTRAL 11	TAPA ANTERIOR IZQ CPL CENTRAL 11	1
014	17201066	BLOCCAGGIO CPL L=250 X PIATTO ANTIUS REG	TOOL LUG	FIX. KPL L=250 F. PLATTE VERSCHLEISSF. REGU	BLOCAGE CPL L=250XPLATEAU ANTIUS RÉG	BLOQUEO CPL L=250XPLATO ANTIDESG REG	1
015	17201064	PIATTO ANTIUSURA REGOLABILE L=2450	ADJUSTABLE ANTIWEAR PLATE L=2450	PLATTE VERSCHLEISSF. EINSTELLBAR L=2450	PLATEAU ANTI-USURE RÉGLABLE L=2450	PLATO ANTIDESGASTE REGULABLE L=2450	1
016	17201150	PIATTO ANTIUSURA SUP L=2460 CON NASI	WEARPLATE FOR COUNTERSUNK BOLTS L=2460	VERSCHLIESSPLATTE L=2460 FUER SENKSCHR.	PLAQUE ANTI-USURE VIS A TÊTE FR. L=2460	PLACA ANTI-DESG. TORN. AVELLANADO L=2460	1
017	18701122	COPERCHIETTO X APERTURA DI REGISTRO	COVER X REGULATING OPENING	DECKEL FUER REGULIERUNGSOEFFNUNG	COUVERCLE POUR OUVERTURE DE BUTÉE	TAPA X APERTURA DE REGISTRO	3
018	17201151	LINGUELLA CPL SUPERSOIL CON NASI	CPL FEATHER SUPERSOIL WITH NOSES	PASSFEDER KPL SUPERSOIL MIT NOSE	LANGUETTE CPL SUPERSOIL AVEC NEZ	LENGÜETA CPL SUPERSOIL CON CABEZAS	2
019	18704001	PERNO + GOCCIA D36,6X178/153 M30X1,5 M12	PIN WITH DRIP D36,6X153 M30X1,5 M12	BOLZEN M. PLATTE D36,6X153 M30X1,5 M12	PIVOT AVEC GOUTTE D36,6X153 M30X1,5 M12	PERNO CON GOTTA D36,6X153 M30X1,5 M12	2
020	20004040	PERNO CON GOCCIA D31,7X135 INT=45 M10	PIN WITH PLATE D31,7 X L=135 INT=45	BOLZEN M. PLATTE D31,7 X L=135 INT=45	GAUJON A. PLAQUE D31,7 X L=135 INT=45	PERNO CON PLACA D31,7 X L=135 INT=45	1
023	97095111	ROSETTA PIANA 10,5X20X2,0 M10 ZN UNI6592	SMOOTH WASHER UNI 6592 - 10,5X21X2,0 ZN	GLATTE SCHEIBE UNI 6592 - 10,5X21X2 ZN	RONDELL. LISSE UNI 6592 - 10,5X21X2,0 ZN	ARANDELA PLANA UNI 6592-10,5X21X2,0 ZN	49
024	97494931	RONDELLA UNI 9195 ELSP 10,2X18,1X2,6 ZN	WASHER ELSP ASA B- 27 - 10,2X18,1X2,2 ZN	SCHEIBE ELSP ASA B- 27 - 10,2X18,1X2,2 ZN	RONDELLE ELS ASA B- 27 - 10,2X18,1X2,2 Z	ARANDELA ELSP ASA B-27-10,2X18,1X2,2 ZN	61
025	96607721	VITE TE M10X 30 UNI 5739 8.8 ZN	BOLT TE M 10X030 UNI 5739 8.8 ZN	SCHRAUBE TE M 10 X 30 UNI 5739 8,8 ZN	VIS TE M 10X030 UNI 5739 8.8 ZN	TORNILLO TE M10X 30 UNI 5739 8.8 ZN	1
025	96607723	VITE TE M10X 30 UNI 5739 10.9 ZN	BOLT TE M10X 30 UNI 5739 10.9 ZN	SCHRAUBE TE M 10 X 30 UNI 5739 10,9 ZN	VIS TE M10X 30 UNI 5739 10.9 ZN	TORNILLO TE M10X 30 UNI 5739 10.9 ZN	40
025	96607631	VITE TE M10X 25 UNI 5739 10.9 ZN	HEX HEAD SCREW M10X 25 UNI 5739 10.9 GV	SCHRAUBE TE M10X 25 UNI 5739 10.9 ZN	VIS TH M10X 25 UNI 5739 10.9 ZN	TORNILLO TE M10X 25 UNI 5739 10.9 GALV	4
026	96609921	VITE TE M12X 30 UNI 5739 8.8 ZN	BOLT TE M 12X030 UNI 5739 8.8 ZN	SCHRAUBE TE M 12 X 30 UNI 5739 8,8 ZN	VIS TE M 12X030 UNI 5739 8.8 ZN	TORNILLO TE M12X 30 UNI 5739 8.8 ZN	2
027	97495031	RONDELLA UNI 9195 ELSP 12,2X21,2X2,5 ZN	WASHER ELSP ASA B- 27 - 12,2X21,2X2,5 ZN	SCHEIBE ELSP ASA B-27 - 12,2X21,2X2,5 ZN	RONDELLE ELS ASA B- 27 - 12,2X21,2X2,5 Z	ARANDELA ELSP ASA B-27-12,2X21,2X2,5 ZN	2
028	97093211	ROSETTA PIANA CARPENT. M12 ZN UNI5714	WASHER	GLATTE SCHEIBE F. M12 UNI 5714 ZN	RONDELLE LISSE M M12 UNI 5714	ARANDELA PLANA CARPINT. X M12 UNI 5714 ZN	2
030	97094011	ROSETTA PIANA 30,5X56X4,0 M30 ZN UNI6592	SMOOTH WASHER UNI 6592 - 31,0X56X4,0ZN	GLATTE SCHEIBE UNI 6592 - 31X56X4 ZN	RONDELL. LISSE UNI 6592 - 31,0X56X4,0 ZN	ARANDELA PLANA UNI 6592-31,0X56X4,0 ZN	2

031	97973221	DADO AUTOBLOC. BASSO M14 X 1,5 UNI7474	LOW.SELFBLOCK. NUT M 14 X 1,5 UNI7474	AUTOBLOCK. MUTTER KURZ M14X1,5 UNI7474	ECROU AUTOSERR. M 14-1,5 UNI7474	TUERCA AUTO BLOQ. BAJA M14 X 1,5 UNI7474	76
032	97091671	ROSETTA EL CONICA NF E25-511 14,4X30X2,4	CONIC EL WASHER NF E25-511 14,4X30X2,4	UNTERLEGESCHEIBE EL KONISCH NF E25-511 1	RONDELLE ÉL. CONIQUE NF E25-511 14,4X30X	ARANDELA EL CÓNICA NF E25-511 14,4X30X2,	28
032	19201010	MOLLA A TAZZA 40X14,3X2	SPRING 40X14,3X2 N	TELLERFEDER 40X14,3X2	RESSORT 40X14,3X2 N	MUELLE 40X14,3X2 N	64
033	16901402	VITE TS A 2 NASELLI M14X1,5 L=80 8.8 ZN	DOUBLE LUG COUNTERSUNK HEAD BOLT M14X 80	SENKSCHRAUBE MIT ZWEI NASEN M14X 80	VIS A TÊTE FRAISÉE À DEUX ERGOTS M14X 80	TORNILLO DE CABEZA AV. CON DOS OR M14X 80	28
034	18701077	TIRANTE REGOLAZIONE PIASTRA IN HARDOX	PLATE ADJUSTMENT TIE ROD IN HARDOX	ZUGSTAB PLATTENEINSTELLUNG IN HARDOX	TIRANT RÉGLAGE PLAQUE EN HARDOX	TIRANTE DE REGULACIÓN DE PLACA DE HARDOX	3
035	96980671	DADO M18-6S UNI5589 BASSO H=09	NUT M18-6S UNI5589	MUTTER M 18-6S UNI5589 H=09 NIEDER	ECR. M18-6S UNI5589	TUERCA M18-6S UNI5589 BAJA H=09	6
036	97495331	RONDELLA UNI 9195 ELSP 18,2X29,4X4 ZN	WASHER ELSP ASA B- 27 - 18,2X29,4X3,5 ZN	SCHEIBE ELSP ASA B-27 - 18,2X29,4X3,5 ZN	RONDELLE ELS ASA B- 27 - 18,2X29,4X3,5 Z	ARANDELA ELSP ASA B-27- 18,2X29,4X3,5 ZN	3
037	97095911	ROSETTA PIANA 19,0X34X3,0 M18 ZN UNI6592	SMOOTH WASHER UNI 6592 - 18X34X3,0 ZN	GLATTE SCHEIBE UNI 6592 - 18X34X3 ZN	RONDELL. LISSE UNI 6592 - 18X34X3,0 ZN	ARANDELA PLANA UNI 6592- 18,0X34X3,0 ZN	3
039	96613227	VITE TE M14X 90 UNI 5737 8.8 NERA	BOLT TE M14X 90 UNI 5737 8.8 NERA	SCHRAUBE TE M 14 X 90 UNI 5737 8,8 SCHW	VIS TE M14X 90 UNI 5737 8.8 NERA	TORNILLO TE M14X 90 UNI 5737 8.8 NERA	8
040	97972321	DADO AUTOBLOC. BASSO M14-6S UNI7474	LOW.SELFBLOCK. NUT M 14-6S UNI7474	SELBSTSICHER. MUTTER M14-6S UNI7474 NIED.	ECROU AUTOSERR. M 14-6S UNI7474	TUERCA AUTO BLOQ. BAJA M 14-6S UNI7474	16
041	96621727	VITE TE M14X120 UNI 5739 8.8 NERA	HEX HEAD SCREW M14X120 UNI 5739 8.8 BLAC	SCHRAUBE TE M14X120 UNI 5739 8. SCHW.	VIS TH M14X120 UNI 5739 8.8 NOIRE	TORNILLO TH M14X120 UNI 5739 8.8 NEGRO	8
042	16901401	VITE TS A 2 NASELLI M14X1,5 L=55 8.8 ZN	DOUBLE LUG COUNTERSUNK HEAD BOLT M14X 55	SENKSCHRAUBE MIT ZWEI NASEN M14X 55	VIS À TÊTE FRAISÉE À DEUX ERGOTS M14X 55	TORNILLO DE CABEZA AV. CON DOS OR M14X 55	48
043	75000180	GHIERA AUTOBLOCCANTE M30 X 1,5	SELF LOCKING RING NUT M30 X 1,5	SELBSTFIX. NUTMUTTER M30 X 1,5	ANNEAU DE FIXATION AUTO-BLOQUANT M30 X 1	VIROLA AUTO BLOQUEADORA M30 X 1,5	2
044	17210003	COPERCHIO CINGHIE SUPERSOIL DX CPL	RH BELT COVER SUPERSOIL CPL	KPL. DECKEL KEILRIEMEN SUPERSOIL RECHTS	COUVERCLE COURROIES SUPERSOIL DROIT CPL	TAPA DE CORREAS SUPERSOIL DER CPL	1
045	17210002	COPERCHIO CINGHIE SUPERSOIL SX CPL	LH BELT COVER SUPERSOIL CPL	KPL. DECKEL KEILRIEMEN SUPERSOIL LINKS	COUVERCLE COURROIES SUPERSOIL GAUCHE CPL	TAPA DE CORREAS SUPERSOIL IZQ CPL	1
046	96607631	VITE TE M10X 25 UNI 5739 10.9 ZN	HEX HEAD SCREW M10X 25 UNI 5739 10.9 GV	SCHRAUBE TE M10X 25 UNI 5739 10.9 ZN	VIS TH M10X 25 UNI 5739 10.9 ZN	TORNILLO TE M10X 25 UNI 5739 10.9 GALV	16
047	19010011	ASTA PORTACATENE CPL TEL FORST L=250	CPL CHAIN-HOLDER BAR F. FRAME FORST 250	KPL. STAB F. KETTENSCHUTZ / RAHM. FORST 250	BARRE PORTE-CHAI. CPL P. CHASSIS FORST 25	BARRA PORTA-CADENAS CPL CHASIS FORST 250	2
048	19010027	CATENA DI PROTEZIONE 17 MAGLIE FILO 12	CHAIN PROT. 17 CHAINS LINK 12	SCHUTZKETTE 17-MASCHEN 12 MM	CHAINE DE PROT. 17 CHAIN. MAIL. 12	CADENA DE PROTECC. 17 ESLABONES HILO 12	98
049	97494931	RONDELLA UNI 9195 ELSP 10,2X18,1X2,6 ZN	WASHER ELSP ASA B- 27 - 10,2X18,1X2,2 ZN	SCHEIBE ELSP ASA B-27 - 10,2X18,1X2,2 ZN	RONDELLE ELS ASA B- 27 - 10,2X18,1X2,2 Z	ARANDELA ELSP ASA B-27- 10,2X18,1X2,2 ZN	2
050	96607621	VITE TE M10X 25 UNI 5739 8.8 ZN	BOLT TE M 10X025 UNI 5739 8.8 ZN	SCHRAUBE TE M 10 X 25 UNI 5739 8,8 ZN	VIS TE M 10X025 UNI 5739 8.8 ZN	TORNILLO TE M10X 25 UNI 5739 8.8 ZN	2
051	17210032	PIEDINO CPL DI APPOGGIO	SUPPORT FOOT CPL	KPL. STUETZE	PIED D'APPUI CPL	PIE DE APOYO CPL	2
052	17210033	PERNO BLOCC PIEDINO D30X130/110 FORO 11	FOOT CLAMPING PIN	FIXIERBOLZEN STUETZE	PIVOT DE BLOCAGE PIED	PERNO DE BLOQUEO DEL PIE	2
053	16004014	SPINA A SCATTO D.10	PIN D. 10	SPERRBOLZEN DM 10	GOIJON D. 10	PERNO A SCATTO D.10	2
054	17207026	SLITTA SX SUPERSOIL	LH SKID SUPERSOIL	KUFE LINKS SUPERSOIL	PATIN GAUCHE SUPERSOIL	PATÍN IZQ SUPERSOIL	1
055	17207028	SLITTA DX SUPERSOIL	RH SKID SUPERSOIL	KUFE RECHTS SUPERSOIL	PATIN DROIT SUPERSOIL	PATÍN DER SUPERSOIL	1
058	17207040	CHIUSURA CINGHIA CPL DX	CPL CLOSING RH	KEILR. SCHUTZVERSCHLUSS RX	FERMETURE P. PROTECT. COURROIES CPL	CIERRE RANURA LATERAL	1
059	17207039	CHIUSURA CINGHIA CPL SX	CPL CLOSING LH	KEILR. SCHUTZVERSCHLUSS LX	FERMETURE P. PROTECT. COURROIES CPL	CIERRE RANURA LATERAL	1
072	17210007	PROT CATENE 250 SUPERSOIL	CHAIN PROT. 250 SUPERSOIL	KETTENSCHUTZ 250 SUPERSOIL	PROT CHAINES 250 SUPERSOIL	PROT CADENAS 250 SUPERSOIL	2
073	18704003	GR. PERNI MAXISOIL	PIN GROUP	BOLZENGRUPPE	GAUJON	GRUPPO PERNO	1
086	16910062	ANELLO PASSATUBI IN GOMMA 60X48X4	RUBBER FEEDTHROUGH RING 60X48X4	ROHRDURCHGANG AUS GUMMI 60X48X4	BAGUE DE SERTISSAGE EN CAOUTCHOUC 60X48X	ANILLO PARA TUBOS DE GOMA 60X48X4	2
087	17201158	PIATTO ANTIUSURA CPL L=2460 NASI E TE	WEARPLATE L=2460	VERSCHLIESSPLATTE L=2460	PLAQUE ANTI-USURE L=2460	PLACA ANTI-DESGASTE L=2460	1

**seppi m®**

02-0046A



Pos.	Code	Descrizione	Description	Beschreibung	Description	Descripción	Quantity
001	19402075	SEMIANELLO CPL PROT ROTORE L=45	PROTECTION RING FOR CPL ROTOR L= 45	HALBRING F. ROTOR L=45	BAGUE DE PROTECTION POUR ROTOR CPL L= 45	JUNTA JUNTA ORING CPL PROT. ROTOR L=45	4
002	97345927	VITE TSEI M12X 30 UNI 5933 10.9 NERA	BOLT TSEI M 12X030 UNI 5933 8.8 BLACK	SCHRAUBE TSEI M 12x30 UNI 5933 8,8 SCHW	VIS TSEI M 12X030 UNI 5933 8.8 NOIRE	TORNILLO TSEI M12X 30 UNI 5933 8.8 NEGRO	16
003	18902126	GR TUBETTO L=410 INGRASS CUSCIN ROTORE	ROTOR support GREASER TUBE UNIT L=410	GR. SCHMIERSCHLAUCH L=410 LAGER ROTOR	GR TUYAU L=410 GRAISS ROUL ROTOR	GR TUBO L=410 ENGRASE COJINE. ROTOR	2
011	18602009	SUPPORTO CUSCINETTO MOD.99 X FORST D.T.	SUPPORT support MOD.' 99 X FORST D.T.	LAGERHALTER MOD ' 99 FORST DT	SUPPORT ROULEMENT MOD.' 99 X FORST D.T.	SOPORTE COJINETE MOD.99 X FORST D.T.	2
012	18602012	COPERCHIO X SUPPORTO CUSCINETTO MOD 99	COVER FOR SUPPORT support MOD 99	DECKEL F. LAGERHALTER '99	COUVERCLE POUR SUPPORT ROULEAU MOD 99	TAPA X SOPORTE COJINETE MOD 99	2
013	18602016	DISTANZIALE D89 X D75 X L=35,5	SPACER 90X 75X35.5	DISTANZSCHEIBE 89X 75X35.5	ENTRETOISE 90X 75X35.5	RETEN D89 X D75 X L=35,5	1
014	18602025	DISTANZIALE D89 X D75 X L=32,8	SPACER 90X 75X32.8	DISTANZBUCHSE 89X 75X32.8	ENTRETOISE 90X 75X32.8	RETEN D89 X D75 X L=32,8	1
015	18602013	CONTROFLANGIA X SUPP CUSCINETTO MOD 99	FLANGE PROT.FOR SUPPORT support MOD.' 99	GEGENFLANSCH F. LAGERHALTER 99	PROT.FLASQUE POUR SUPP.ROULEAU MOD.' 99	PROT. BRIDA P/SOPORTE COJINETE MOD.' 99	2
016	18902063	PIASTRINA FISSAVITI ROTORE SUPERFORST	PLATE F.BOLT F.ROTOR FORST-SUPER	PLATTE F. SCHRAUBENFIXIERUNG F. ROTOR	PLAQUE P.VIS P.ROTOR FORST-SUPER	PLACA FIJA TORNILLO P.ROTOR FORST-SUX	6
017	18002050	CUSCINETTO 22316 E 80X170X58 OR.RULLI	bearing 22316 E 80X170X58	VERST. ROLLENLAGER 22316 E 80X170X58	ROULEMENT 22316 E 80X170X58	RODAMIENTO 22316 E 80X170X58 RODILLOS	2
018	18602014	ANELLO DI TENUTA 90 X110 X12	OIL SEAL 90 X110 X12	DICHTUNGSRING 90 X110 X12	BAGUE ETACH. 90 X110 X12	RETEN 90 X110 X12	2
019	18602017	ANELLO DI TENUTA 95 X125 X12	OIL SEAL 95 X125 X12	DICHTUNGSRING 95 X125 X12	BAGUE ETACH. 95 X125 X12	RETEN 95 X125 X12	2
020	97251070	SPINA ELASTICA 07X60	ROLL PIN 07X60	SPANNSTIFT 07 X 60	GOUJON ELAST. 07X60	PERNO ELASTICO 07X60	6
021	97251270	SPINA ELASTICA 12X60	ROLL PIN 12X60	SPANNSTIFT 12 X 60	GOUJON ELAST. 12X60	PERNO ELASTICO 12X60	6
022	96869276	ANELLO EL. PER ALBERI 80X2,5	EL.RING F.SHAFTS 80X2,5	WELLENSPANNRING 80X2,5	BAGUE ARRET P.ARBRES 80X2,5	RETEN EL.P.EJES 80X2,5	1
023	18602015	DISTANZIALE D155 X D170 L=3 DI REGISTRO	SPACER 170X155X 3	EINSTELLRING 170X155X3	ENTRETOISE 170X155X 3	RETEN 170X155X 3	2
024	97285480	ANELLO O-RING OR 151/3300 75,87X2,62	OIL SEAL OR 151/3300 75,87X2,62	O-DICHTUNGSRING 151/3300 75,87 X 2,62	BAGUE ETACH OR. 151/3300 75,87X2,62	RETEN 151/3300 75,87X2,62	2
025	96605921	VITE TE M 8X 40 UNI 5739 8.8 ZN	BOLT TE M 08X040 UNI 5739 8.8 ZN	SCHRAUBE TE M 8 X 40 UNI 5739 8,8 ZN	VIS TE M 08X040 UNI 5739 8.8 ZN	TORNILLO TE M 8X 40 UNI 5739 8.8 ZN	12
026	97494831	RONDELLA UNI 9195 ELSP 8,1X14,8X2,3 ZN	WASHER ELSP ASA B- 27 - 08,2X14,8X2 ZN	SCHIEBE ELSP ASA B- 27 - 08,2X14,8X2 ZN	RONDELLE ELS ASA B- 27 - 08,2X14,8X2 ZN	ARANDELA ELSP ASA B-27- 8,2X14,8X2 ZN	12
027	97495231	RONDELLA UNI 9195 ELSP 16,2X27,4X4 ZN	WASHER ELSP ASA B- 27 - 16,2X27,4X3,5 ZN	SCHIEBE ELSP ASA B-27 - 16,2X27,4X3,5 ZN	RONDELLE ELS ASA B- 27 - 16,2X27,4X3,5 Z	ARANDELA ELSP ASA B-27- 16,2X27,4X3,5 ZN	12
031	96682833	VITE TE M16X 55 X 1,5 10.9 NERA U5738	HEX HEAD SCREW M16X 55X1.5 10.9 BLACK U5	SCHRAUBE TE M16X 55X1.5 10.9 SCHW. U5738	VIS TH M16X 55X1.5 10.9 NOIRE U5738	TORNILLO TH M16X 55X1.5 10.9 NEGRO U5738	20
032	97092171	ROSETTA EL CONICA NF E25-511 16,4X32X2,8	SPRING WASHER UNI 7064 16,4X32X2,8	KONISCHE FEDERSCHIEB.UNI7064 16,4X32X2,8	RONDELL 7064 16,4X32X2,8	ARANDELA CONICA EL. UNI 7064 16,4X32X2,8	8
033	96615725	VITE TE M16X120 X 1,5 12.9 NERA	HEX HEAD SCREW M16X120X1.5 12.9 BLACK	SCHRAUBE TE M16X120X1,5 12.9 SCHWARZ	VIS TH M16X120X1,5 12.9 NOIRE	TORN.TH M16X120X1,5 12.9 NEGRO	8
034	17202074	UTENSILE ULTRA MONO PROTECT	ULTRA MONO PROTECT TOOL	WERKZEUG ULTRA MONO PROTECT	OUTIL ULTRA MONO PROTECT	HERRAMIENTA ULTRA MONO PROTECT	73
036	19102181	UTENSILE SUPER MONO PROT EXT R OPT443 V2	TOOL SUPER MONO PROT EXT R OPT443 V2	WERKZEUG SUPER MONO SCHUTZ EXT R OPT443	OUTIL SUPER MONO PROT EXT R OPT443 V2	HERRAMIENTA SUPER MONO PROT EXT R OPC443	4
037	19102182	UTENSILE SUPER MONO PROT EXT L OPT443 V2	TOOL SUPER MONO PROT EXT L OPT443 V2	WERKZEUG SUPER MONO SCHUTZ EXT L OPT443	OUTIL SUPER MONO PROT EXT L OPT443 V2	HERRAMIENTA SUPER MONO PROT EXT L OPC443	4
038	96615223	VITE TE M16X 70 UNI 5737 10.9 ZN	BOLT TE M16X 70 UNI 5737 10.9 ZN	SCHRAUBE TE M 16 X 70 UNI 5737 10,9 ZN	VIS TE M16X 70 UNI 5737 10.9 ZN	TORNILLO TE M16X 70 UNI 5737 10.9 ZN	12
039	17202093	ROSETTA EL CONICA M BN208010 18,5X35X4,5	CONIC EL WASHER M BN208010 18,5X35X4,5	UNTERLEGESCHIEBE EL KONISCH 18,5X35X4,5	RONDELLE ÉL. CONIQUE 18,5X35X4,5	ARANDELA EL CÓNICA BN208010 18,5X35X4,5	77
040	96603826	VITE TE M18X120 X 1,5 UNI 5738 12.9 NERA	BOLT TE M18X120 X1,5 UNI 5738 12.9 BLACK	SCHRAUBE TE M18X120 X1,5 UNI 5738 12.9 S	VIS TE M18X120 X1,5 UNI 5738 12.9 NOIRE	TORN.TE M18X120 X1,5 UNI 5738 12.9 NEGRO	77
041	17702117	MOZZO LAV. INT D80 L=346,5 SENZA BATT V2	INT. MACH.HUB D80 L=346,5 NO RABBIT V2	NABE BEARB. INT D80 L=346,5 OHNE BATT V2	MOYEU USI. INT D80 L=346,5 SANS BATT V2	BUJE LAV. INT D80 L=346,5 SIN TOPE V2	1

042	17202086	UTENSILE ULTRA MONO PROTECT EXTREME R	ULTRA MONO PROTECT EXTREME TOOL R	WERKZEUG ULTRA MONO PROTECT EXTREME R	OUTIL ULTRA MONO PROTECT EXTREME R	HERRAMIENTA ULTRA MONO PROTECT EXTREME R	2
043	17202085	UTENSILE ULTRA MONO PROTECT EXTREME L	ULTRA MONO PROTECT EXTREME TOOL L	WERKZEUG ULTRA MONO PROTECT EXTREME L	OUTIL ULTRA MONO PROTECT EXTREME L	HERRAMIENTA ULTRA MONO PROTECT EXTREME L	2
044	17702116	MOZZO LAV. INT. D80 L=346,5 CON BATT V2	MACH. INT HUB D80 L=346,5 W/RABBET V2	NABE BEARB.INT. D80 L=346,5 MIT BATT V2	MOYEU USI. INT. D80 L=346,5 + FEUIL. V2	BUJE LAV. INT. D80 L=346,5 CON TOPE V2	1
050	17202114	GR. ROTORE RETT. T406DT L=250 OPT469+448	GROUND ROTOR GR. T406DT L=250 OPT469+448	GR. ROTOR RECHT. T406DT L=250 OPT469+448	GR. ROTOR RECT. T406DT L=250 OPT469+448	GR. ROTOR RECT. T406DT L=250 OPC469+448	1
051	17202072	SUPPORTO FRESATO SUPERSOIL ULTRA	MILLED SUPPORT SUPERSOIL ULTRA	GEFRÄSTE HALTERUNG SUPERSOIL ULTRA	SUPPORT FRAISÉ SUPERSOIL ULTRA	SOPORTE FRESADO SUPERSOIL ULTRA	75
052	17202079	SUPPORTO FRESATO SUPERSOIL ULTRA EXTR R	MILLED SUPPORT SUPERSOIL ULTRA EXTR R	GEFRAESTE STÜTZE SUPERSOIL ULTRA EXTR RE	SUPPORT FRAISE SUPERSOIL ULTRA EXTR R	SOPORTE FRESADO SUPERSOIL ULTRA EXTR R	1
053	17202080	SUPPORTO FRESATO SUPERSOIL ULTRA EXTR L	MILLED SUPPORT SUPERSOIL ULTRA EXTR L	GEFRAESTE STÜTZE SUPERSOIL ULTRA EXTR LI	SUPPORT FRAISE SUPERSOIL ULTRA EXTR L	SOPORTE FRESADO SUPERSOIL ULTRA EXTR L	1
054	17202096	SUPP. BASSO LAV. X SUPERSOIL T406 SX	MACHINED LOW SUPP. FOR SUPERSOIL T406 LH	HALT. NIEDR.BEARB. FÜR SUPERSOIL T406 LI	SUPP. BAS USI. SUPERSOIL T406 GAUCHE	SOP. BAJO LAV. P/ SUPERSOIL T406 IZQ	2
055	17202097	SUPP. BASSO LAV. X SUPERSOIL T406 DX	MACH. LOW SUPP. FOR SUPERSOIL T406 DX	HALT. NIEDRIG BEARB. F.SUPERSOIL T406 RE	SUPP. BAS USI. POUR SUPERSOIL T406 DROIT	SOP. BAJO LAV. P/ SUPERSOIL T406 DER	2
056	18702307	SUPP. BASSO LAV. X MAXISOIL T406 LARGO	MACHINED LOW SUPP.FOR MAXISOIL T406 WIDE	HALT. NIEDR.BEARB. F.MAXISOIL T406 BREIT	SUPP. BAS USI. POUR MAXISOIL T406 LARGE	SOP. BAJO LAV. P/ MAXISOIL T406 ANCHO	4
058	17202106	RINFORZO POST. ALTO X SUPP. ULTRA	REAR REINFORC. HIGH FOR ULTRA SUPP.	HINT. VERST. HOCH X STÜTZE ULTRA	RENFORT ARR. HAUT POUR SUPPL. ULTRA	REFUERZO POST. ALTO X SOP. ULTRA	77



Transmission

trasmissione

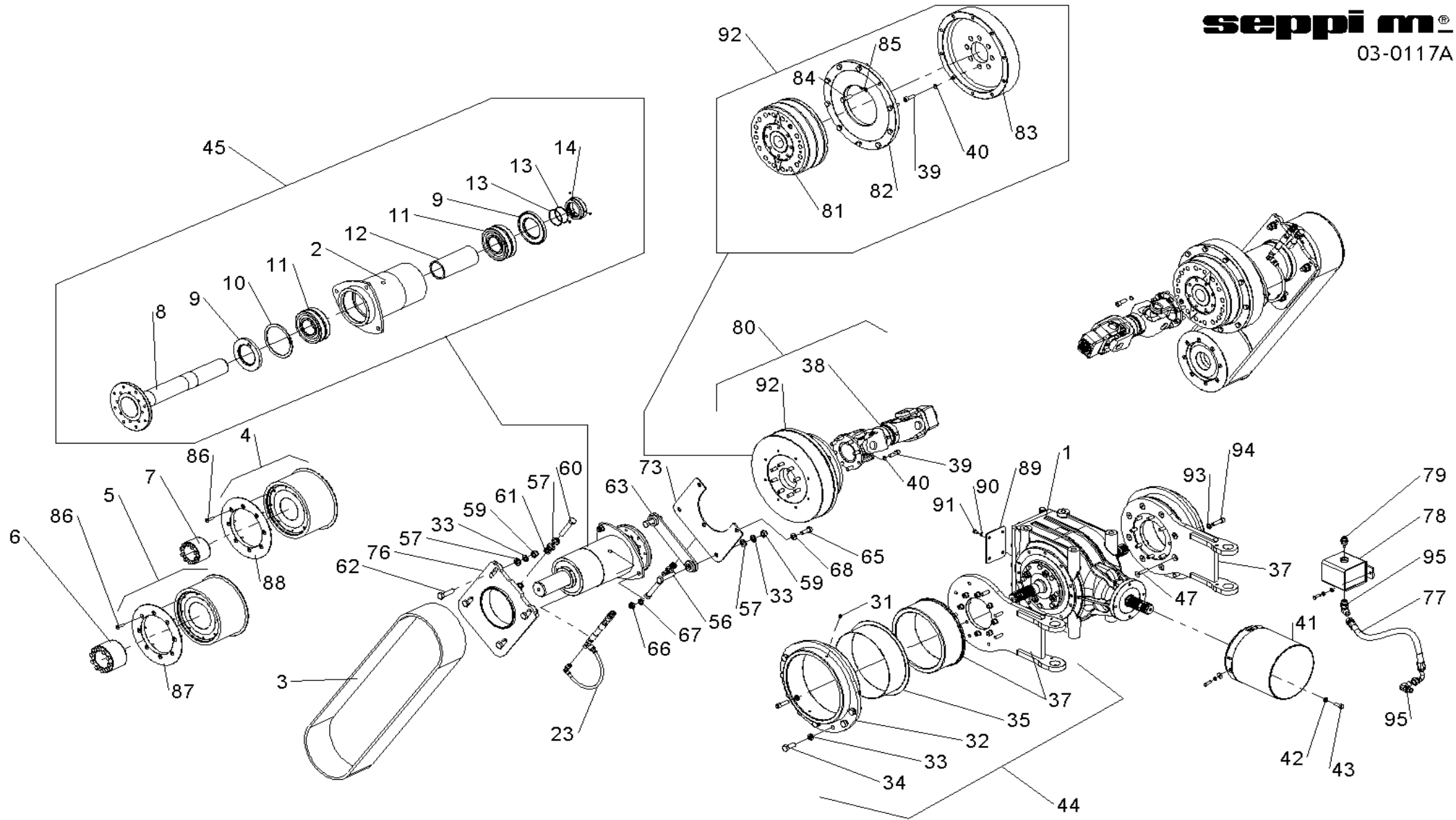
Antrieb

Transmission

Transmission

**seppi m®**

03-0117A



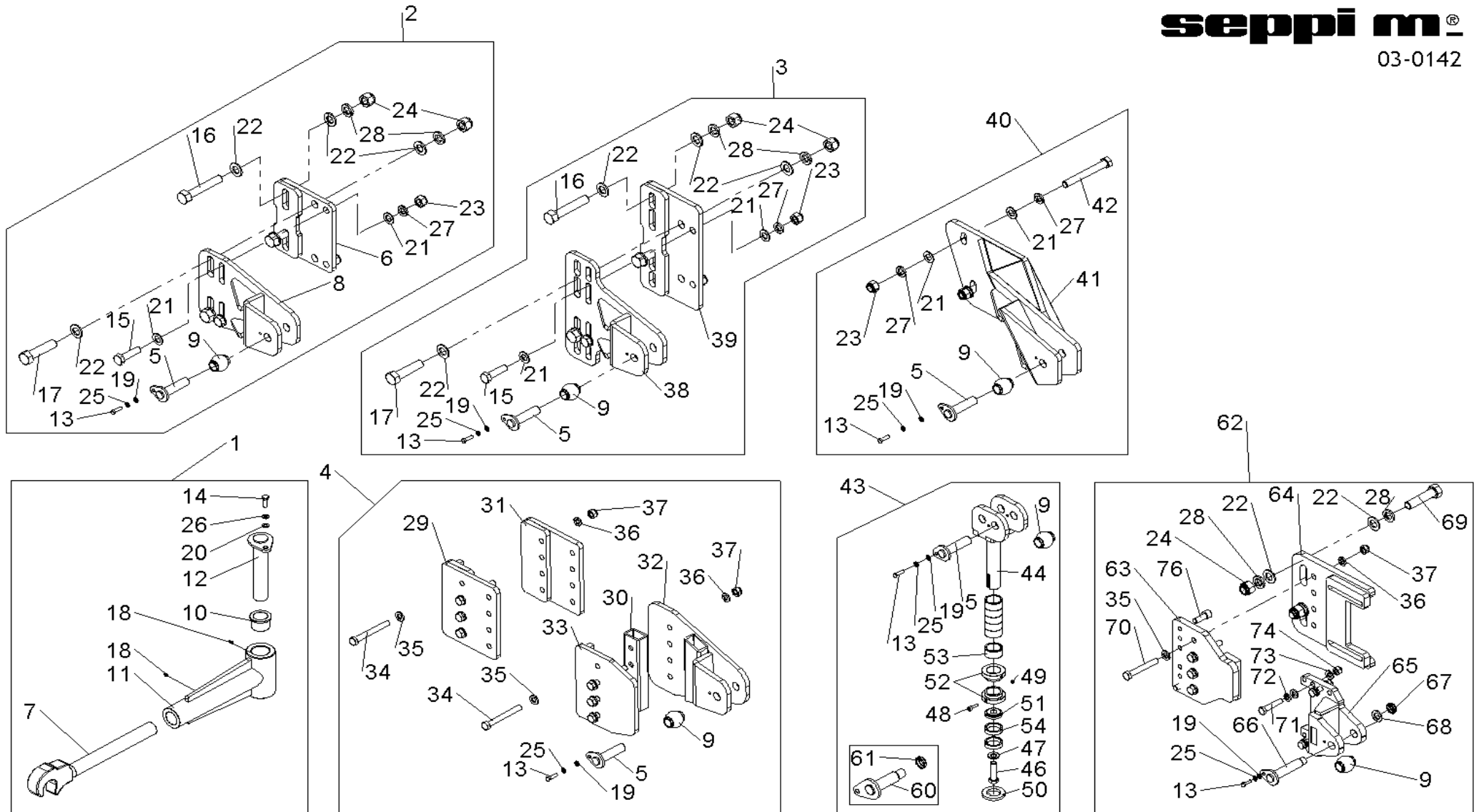
Pos.	Code	Descrizione	Description	Beschreibung	Description	Descripción	Quantity
001	17203097	RIDUTT T-332A R=1,9:1 ATT.P RL LAVORATO	REDUCER T-332A R=1,9:1 LINKAGE P RL MACH	UNTERSETZUNGSGETRIEBE T-332A R=1,9:1 ANB	RÉDUCT. T-332A R=1,9:1 ATT.P RL USINÉ	REDUCT T-332A R=1,9:1 CON.P RL LABRADO	1
002	18703086	PROL MAXISOIL MECC	MAXISOIL MECH EXTENSION	VERLÄNGERUNG MAXISOIL MECH.	RALL. MAXISOIL MÉC	PROL MAXISOIL MEC	2
003	18703114	CINGHIA CARBONCHAIN 14M-2450-125	BELT CARBONCHAIN 14M-2450-125	KEILRIEMEN CARBONCHAIN 14M-2450-125	COURROIE CARBONCHAIN 14M-2450-125	CORREA CARBONCHAIN 14M-2450-125	2
004	17203135	PULEGGIA DENT D250 56-14M-125 D95 CPL	CPL TOOTHED PULLEY D250 56-14M-125 D95	ZAHNRIEMENS. D250 56-14M-125 D95 KPL	POULIE DENT D250 56-14M-125 D95 CPL	POLEA DENT D250 56-14M-125 D95 CPL	2
005	17203134	PULEGGIA DENT D250 56-14M-125 D115 CPL	CPL TOOTHED PULLEY D250 56-14M-125 D115	ZAHNRIEMENS. D250 56-14M-125 D115 KPL	POULIE DENT D250 56-14M-125 D115 CPL	POLEA DENT D250 56-14M-125 D115 CPL	2
006	18603025	CALETTATORE VIBLOCK VK 112 75 X 115	TAPER LOCK VIBLOCK VK 112 75 X 115	SPANNBUECHSE VIBLOCK VK 112 75 X 115	MOYEU VIBLOCK VK 112 75 X 115	JUNTA VIBLOCK VK 112 75 X 115	2
007	19303012	CALETTATORE VIBLOCK VK 112 65 X 95	TAPER LOCK VIBLOCK VK 112 65 X 95	SPANNBUECHSE VIBLOCK VK 112 65 X 95	MOYEU VIBLOCK VK 112 65 X 95	JUNTA VIBLOCK VK 112 65 X 95	2
008	20003043	ALBERO PROL CPL MAXIFORST MECC	CPL SHAFT F.EXT.SHAFT DIS 20003036	KPL WELLE F.VERL.DIS 20003036 MAXIFORST	ARBRE CPL P.PROL.DIS 20003036	EJE CPL P.PROL. MAXIFORST	2
009	17703206	ANELLO DI TENUTA 85 X140 X12 AS VITON	OIL SEAL 85 X140 X12 AS VITON	DICHTUNGSRING 85 X140 X12 AS VITON	BAGUE ETANCHEITE 85 X140 X12 AS VITON	ANILLO CONTEN. 85 X140 X12 AS VITON	4
010	96876676	ANELLO EL. PER FORI 140X4	EL.RING FOR FORI 140X4	SEEGERRING F. LOECHER 140X4	BAGUE ARRET P.TROUS 140X4	RETEN EL.P.ORIF.140X4	2
011	75000199	CUSCINETTO 22313 E 65X140X48 OR.RULLI	Bearing 22313 65X140X48 OR.RULLI	VERST. ROLLENLAGER 22313 E 65X140X48	ROULEMENT 22313 65X140X48 OR.RULLI	RODAMIENTO 22313 E 65X140X48 RODILLOS	4
012	20003042	DISTANZIALE D65 X D80 L=181	SPACER INT. MAXIFORST MOD.04	DISTANZBUECHSE 65X76X181	ENTRETOISE INT. MAXIFORST MOD.04	RETEN 75 X 65 X 181	2
013	97284880	ANELLO O-RING OR 145/3256 64,77X2,62	OIL SEAL O-RING OR 145/3256 64,77X2,62	O-DICHTUNGSRING 145/3256 64,77 X 2,62	BAGUE ETACH. O-RING OR 145/3256 64,77X2,	RETEN 145/3256 64,77X2	4
014	20003206	GR. DIST D65 X D90 L=28 + GRANI M 8 X 8	SPC GR. D65 X D90 L=28 SETSCR M 8 X 8	GR. DIST D65 X D90 L=28 KÖRNER M 8 X 8	GR. ENTR.D65 X D90 L=28 ECROUS M 8 X 8	GR. ESP D65 X D90 L=28 TORNILL M 8 X 8	2
023	18703048	KIT TUBETTO LIVELLO OLIO X PROL D.168	KIT OIL LEVEL TUBE	KIT SCHLAUCH OELNIVEAU F.VERL.D.168	KIT TUYAU NIVEAU HUILE P.RALLONGE D.168	KIT TUBO DE NIVEL DE ACEITEXPROL D.168	2
031	97036711	INGRAS. DIRITTO UNI 7663 A M8X1,25 CH9	GREASE NIPPLE UNI 7663 AM M8X1,25	SCHMIERNIPPEL UNI 7663 AM M8X1,25	GRAISSEUR UNI 7663 AM M8X1,25	LUBRICADOR UNI 7663 AM 8X1,25	4
032	18703031	FLANGIA ESTERNA X FISSAGGIO MOLT 332A	EXTERNAL FLANGE X FIXING GEARBOX 332A	AUSSENFLANSCH FUER FIX. GETRIEBE 332A	BRIDE EXTÉRIEURE POUR FIXATION MULT 332A	BRIDA EXTERNA X FIJACIÓN MULT 332A	2
033	97495231	RONDELLA UNI 9195 ELSP 16,2X27,4X4 ZN	WASHER ELSP ASA B- 27 - 16,2X27,4X3,5 ZN	SCHEIBE ELSP ASA B- 27 - 16,2X27,4X3,5 ZN	RONDELLE ELS ASA B- 27 - 16,2X27,4X3,5 Z	ARANDELA ELSP ASA B-27-16,2X27,4X3,5 ZN	28
034	96634523	VITE TE M16X 40 UNI 5739 10.9 ZN	BOLT TE M16X 40 UNI 5739 10.9 ZN	SCHRAUBE TE M 16 X 40 UNI 5739 10,9 ZN	VIS TE M16X 40 UNI 5739 10.9 ZN	TORNILLO TE M16X 40 UNI 5739 10.9 ZN	16
035	20003068	/OCCOLA AUTOLUBR. 28590-F325	BUSHING	SELBSTSCHM.GLEITLAGER FINBW 28590-F325	DOUILLE	CASQUILLO AUTOLUBRICANTE 30,5X40,5 L=33	2
036	20003140	COLLARE X ROTAZ. MOLT 301B/332A MOD11	COLLARXGEARBOX ROTATION 301B/332A MOD11	RING F.ROTATION GETRIEBE 301B/332A MOD11	COLLIER POUR ROTAT.MULT 301B/332A MOD11	COLLARXROTAC.MULT 301B/332A MOD11	2
037	18703075	SUPP FLANG.CPL MOLT 332A OPT 138	CPL GEARB. FLANGE SUPP. 332A OPT 138	KPL. FLANSCHHALTERUNG GETR. 332A OPT 138	SUPP FLAS.CPL MULT 332A OPT 138	SOP. BRIDA CPL MULT 332A OPC 138	2
038	17203063	CARD DG 2600 DIN150 8F12 - 261802 L=575	PTO DG 2600 DIN150 8F12 - 261802 L=575	KARD. DG 2600 DIN150 8F12 - 261802 L=575	CARD DG 2600 DIN150 8F12 - 261802 L=575	CARD DG 2600 DIN150 8F12 - 261802 L=575	2
039	96693925	VITE TCEI M12X 35 X 1,25 UNI 5931 10.9ZN	SOCKET HEAD SCREW M12X 35 UNI 5931 10.9	SCHRAUBE TCEI M12X 35X1,25 UNI 5931 10.9	VIS CHC M12X 35X1,25 UNI 5931 10.9ZN	TORN.ALLEN M12X 35X1,25 UNI 5931 10.9 GA	32
040	18903018	RONDELLA DIN 6796 SCHNORR13X24X2,5	WASHER SCHNORR FOR PTO. COMER	SCHEIBE SCHNORR F. KARDANW. COMER	RONDELLE SCHNORR POUR CARDAN COMER	ARANDELA SCHNORR X CARDAN COMER	52
041	18910094	GR. CONTROCCUFFIA LAVORATA X SUPERFORST	MACHINED SHAFT CONE UN. X SUPERFORST	GR. GEDREHTE SCHUTZKAPPE FÜR SUPERFORST	GR. CAPOT DE PROTECTION USINÉ POUR SUPER	GR. CAPERUZA LABRADA X SUPERFORST	1
042	97494931	RONDELLA UNI 9195 ELSP 10,2X18,1X2,6 ZN	WASHER ELSP ASA B- 27 - 10,2X18,1X2,2 ZN	SCHEIBE ELSP ASA B- 27 - 10,2X18,1X2,2 ZN	RONDELLE ELS ASA B- 27 - 10,2X18,1X2,2 Z	ARANDELA ELSP ASA B-27-10,2X18,1X2,2 ZN	4
043	96607721	VITE TE M10X 30 UNI 5739 8.8 ZN	BOLT TE M 10X030 UNI 5739 8.8 ZN	SCHRAUBE TE M 10 X 30 UNI 5739 8,8 ZN	VIS TE M 10X030 UNI 5739 8.8 ZN	TORNILLO TE M10X 30 UNI 5739 8.8 ZN	4
044	18703018	GRUPPO ROTAZIONE X MOLT 332A X OPT 138	ROTATION UNITXGEARBOX 332AXOPT138	GR.ROTATION F.GETRIEBE 332A F.OPT138	GROUPE ROTATION P.MULT 332A P.OPT138	GRUPO ROTACIÓNXMULT 332AXOPT138	1
045	18703085	PROL CPL MAXISOIL MECC	MECH EXTENSION CPL MAXISOIL	KPL. VERLÄNGERUNG MAXISOIL MECH.	RALL. CPL MAXISOIL MÉC	PROL CPL MAXISOIL MEC	2

047	97346233	VITE TSEI M12X 55 UNI 5933 10.9 NERA	BOLT TSEI M12X55 UNI 5933 10.9 BLACK	SCHRAUBE TSEI M12X55 UNI 5933 10.9 SCHW.	VIS TSEI M12X55 UNI 5933 10.9 NOIRE	TORN.TSEI M12X55UNI5933(DIN 913)0.9NEGRO	16
056	96615223	VITE TE M16X 70 UNI 5737 10.9 ZN	BOLT TE M16X 70 UNI 5737 10.9 ZN	SCHRAUBE TE M 16 X 70 UNI 5737 10,9 ZN	VIS TE M16X 70 UNI 5737 10.9 ZN	TORNILLO TE M16X 70 UNI 5737 10.9 ZN	4
057	97093611	ROSETTA PIANA CARPENT. M16 ZN UNI5714	SMOOTH WASHER CARPENT.X M16 UNI 5714 ZN	GLATTE SCHEIBE F. M16 UNI 5714 ZN	RONDELL. LISSE CARPENT.X M16 UNI 5714 ZN	ARANDELA PLANA M16 UNI 5714 ZN	20
059	97972521	DADO AUTOBLOC.BASSO M16-6S UNI7474	LOW.SELFBLOCK.NUT M 16-6S UNI7474	SELBSTSICHER.MUTTER M16-6S UNI7474 NIED.	ECROU AUTOSERR.M 16-6S UNI7474	TUERCA AUTO BLOQ. BAJA M 16-6S UNI7474	12
060	96615521	VITE TE M16X100 UNI 5739 8.8 ZN	BOLT TE M16X100 UNI 5739 8.8 ZN	SCHRAUBE TE M 16 X 100 UNI 5739 8,8 ZN	VIS TE M16X100 UNI 5739 8.8 ZN	TORNILLO TE M16X100 UNI 5739 8.8 ZN	4
061	96980471	DADO M16-6S UNI5589 BASSO H=08 ZN	NUT M 16-6S UNI5589 H=08	MUTTER M 16-6S UNI5589 H=08 NIEDER	ECR.M 16-6S UNI5589 H=08	TUERCA M 16-6S UNI5589 BAJA H=08 GALV.	4
062	96615023	VITE TE M16X 60 UNI 5739 10.9 ZN	HEX HEAD SCREW M16X 60 UNI 5739 10.9 GV	SCHRAUBE TE M16X 60 UNI 5739 10.9 ZN	VIS TH M16X 60 UNI 5739 10.9 ZN	TORNILLO TE M16X 60 UNI 5739 10.9 GALV.	8
063	17203092	RINFORZO DISTANZIALE CPL FERMO VITE	SCREW STOP CPL SPACER REINFORCEMENT	VERSTÄRK. DISTANZST. KPL SCHRAUBENSPERRE	RENFORT ENTRETOISE CPL BLOCAGE VIS	REFUERZO ESPACIADOR CPL BLOQUEO TORNILLO	2
065	96612421	VITE TE M14X 40 UNI 5739 8.8 ZN	BOLT TE M 14X040 UNI 5739 8.8 ZN	SCHRAUBE TE M 14 X 40 UNI 5739 8,8 ZN	VIS TE M 14X040 UNI 5739 8.8 ZN	TORNILLO TE M14X 40 UNI 5739 8.8 ZN	6
066	97972321	DADO AUTOBLOC.BASSO M14-6S UNI7474	LOW.SELFBLOCK.NUT M 14-6S UNI7474	SELBSTSICHER.MUTTER M14-6S UNI7474 NIED.	ECROU AUTOSERR.M 14-6S UNI7474	TUERCA AUTO BLOQ. BAJA M 14-6S UNI7474	6
067	97495131	RONDELLA UNI 9195 ELSP 14,2X24,1X3,5 ZN	WASHER ELSP ASA B- 27 - 14,2X24,1X3 ZN	SCHEIBE ELSP ASA B- 27 - 14,2X24,1X3 ZN	RONDELLE ELS ASA B- 27 - 14,2X24,1X3 ZN	ARANDELA ELSP ASA B-27-14,2X24,1X3 ZN	6
068	97095511	ROSETTA PIANA 15,0X28X2,5 M14 ZN UNI6592	SMOOTH WASHER UNI 6592 - 14X28X2,5 ZN	GLATTE SCHEIBE UNI 6592 - 14X28X2,5 ZN	RONDELL. LISSE UNI 6592 - 14X28X2,5 ZN	ARANDELA PLANA UNI 6592-14,0X28X2,5 ZN	6
073	18703092	FLANGIA TIRANTE LATO CARDANO	PTO SHAFT SIDE TIE RODS FLANGE	FLANSCH ZUGSTANGE SEITE KARDANWELLE	BRIDE TIRANT CÔTÉ CARDAN	BRIDA TIRANTE LATO CARDÁN	2
076	17203089	FLANGIA TIRANTE LATO PULEGGIA SUPERSOIL	FLANGE	FLANSCH F. RIEMENSPIANN.	FLANGE	BRIDA	2
077	16612005	TUBO IDR R2AT 1/2" 600-FD-F90	HYDR. TUBE SAE R2ATDN 1/2"X 600 FD-F9	SCHLAUCH SAE R2ATDN 1/2"X 600 FD-F9	TUYAU HYDR SAE R2ATDN 1/2"X 600 FD-F9	TUBO HIDR SAE R2ATDN 1/2"X 600 FD-F9	1
078	16912017	SERBATOIO OLIO 1 LITRO	OIL TANK 1L	OELTANK 1Liter	RÉSERVOIR D'HUILE 1L	DEPÓSITO DE ACEITE 1L	1
079	48403264	TAPPO SFIATO 1/2"GAS SP 0.707.7102.00	CAP 1/2"GAS (0.707.7102.00)	ENTLUEFTUNGSPFPROPFEN 1/2" GAS	BOUCHON 1/2"GAS (0.707.7102.00)	TAPON CON RESP. 1/2"GAS (0.707.7102.00)	1
080	17203054	CARDANO PROLUNGA CPL 250	PTO SHAFT EXTENSION CPL 250	KARDANW. VERLAENGERUNG KPL 250	CARDAN RALLONGE CPL 250	CARDAN PROLONGACIEN CPL 250	2
081	17203055	MOZZO LIM. DI COPPIA LAVORATO	MACHINED TORQUE LIMITER HUB	NABE DREHMOMENTBEGR. BEARB.	MOYEU LIM. DE COUPLE USINÉ	BUJE LIM. DE PAR LABRADO	2
082	17203056	DISCO DI TRASCINAMENTO	DRIVE DISK	MITNEHMERSCHEIBE	DISQUE DE REMORQUAGE	DISCO DE ARRASTRE	2
083	17203091	FLANGIA CORONA	CROWN FLANGE	FLANSCH KRANZ	BRIDE COURONNE	BRIDA CORONA	2
084	96610141	VITE TE M12X 40X 1,25 UNI 5739 10.9 ZN	BOLT TE M12X40X1.25 UNI 5739 10.9 GV	SCHRAUBE TE M12X40X1,25 UNI 5739 10.9 ZN	VIS TH M12X40X1,25 UNI 5739 10.9 ZN	TORN.TE M12X40X1,25 UNI 5739 10.9 GALV.	20
086	97344121	VITE TSEI M 8X 35 UNI 5933 10.9 ZN	BOLT TSEI M 8X 35 UNI 5933 10.9 ZN	SCHRAUBE TSEI M 8X 35 UNI 5933 10.9 ZN	VIS TSEI M 8X 35 UNI 5933 10.9 ZN	TORNILLO TSEI M 8X 35 UNI 5933 10.9 ZN	64
087	17203132	FLANGIA DI CHIUSURA SPESSA X PUL D.250	THICK CLOSURE FLANGE FOR PUL D.250	DICKE VERSCHL.FLANSCH F. RIEMENS. D.250	BRIDE DE FERMET. EPAISSE POUR POUL.D.250	BRIDA DE CIERRE ESPESA X POL D.250	4
088	17203132	FLANGIA DI CHIUSURA SPESSA X PUL D.250	THICK CLOSURE FLANGE FOR PUL D.250	DICKE VERSCHL.FLANSCH F. RIEMENS. D.250	BRIDE DE FERMET. EPAISSE POUR POUL.D.250	BRIDA DE CIERRE ESPESA X POL D.250	4
089	17203098	COPERCHIO ATTACCO POMPA SCAT T332	COVER FOR PUMP CONNECTION	ABDECKUNG FUER PUMPENANSCHL.	COUVERCLE POUR ATTELAGE POMPE	TAPA PARA ENCHUFE BOMBA	1
090	97494831	RONDELLA UNI 9195 ELSP 8,1X14,8X2,3 ZN	WASHER ELSP ASA B- 27 - 08,2X14,8X2 ZN	SCHEIBE ELSP ASA B- 27 - 08,2X14,8X2 ZN	RONDELLE ELS ASA B- 27 - 08,2X14,8X2 ZN	ARANDELA ELSP ASA B-27-8,2X14,8X2 ZN	5
091	96605321	VITE TE M 8X 12 UNI 5739 8.8 ZN	BOLT TE M 08X012 UNI 5739 8.8 ZN	SCHRAUBE TEM 8 X 12 UNI 5739 8,8 ZN	VIS TE M 08X012 UNI 5739 8.8 ZN	TORNILLO TE M 8X 12 UNI 5739 8.8 ZN	4
092	17203065	MOZZO LIMITATORE COPPIA CPL 1500-7000 NM	TORQUE LIMITER HUB CPL 1500-7000 NM	NABE DREHMOMENTBERGRENZER CPL 1500-7000	MOYEU LIMITEUR DE COUPLE CPL 1500-7000 N	BUJE LIMITADOR PAR CPL 1500-7000 NM	2
093	97495034	RONDELLA UNI 9195 ELSP 12,2X21,2X3,2 NE	WASHER ELSP ASA B- 27 - 12,2X21,2X2,5 N	SCHEIBE ELSP ASA B- 27 - 12,2X21,2X2,5 N	RONDELLE ELS ASA B- 27 - 12,2X21,2X2,5 N	ARANDELA ELSP ASA B-27-12,2X21,2X2,5 N	16
094	96694177	VITE TCEI M12X 45 UNI 5931 12.9 NERA	SOCKET HEAD SCREW M12X 45 UNI 5931 12.9	SCHRAUBE CEI M12X 45 UNI 5931 12.9 SCHW.	VIS CHC M12X 45 UNI 5931 12.9 NOIRE	TORN.ALLEN M12X 45 UNI 5931 12.9 NEGRO	16

095	16912010	CURVA 90° COMP. M-M ORIENT. 1/2"	COMPACT 90° ELBOW M-M ADJUSTABLE 1/2"	KRUEMMER 90° KOMPAKT M-M DREHBAR 1/2"	COUDE 90° COMPACT M-M ORIENT. 1/2"	CURVA 90° COMPACTA M-M ORIENT. 1/2"	2
-----	----------	-------------------------------------	------------------------------------------	------------------------------------------	---------------------------------------	----------------------------------------	---

**seppi m.®**

03-0142

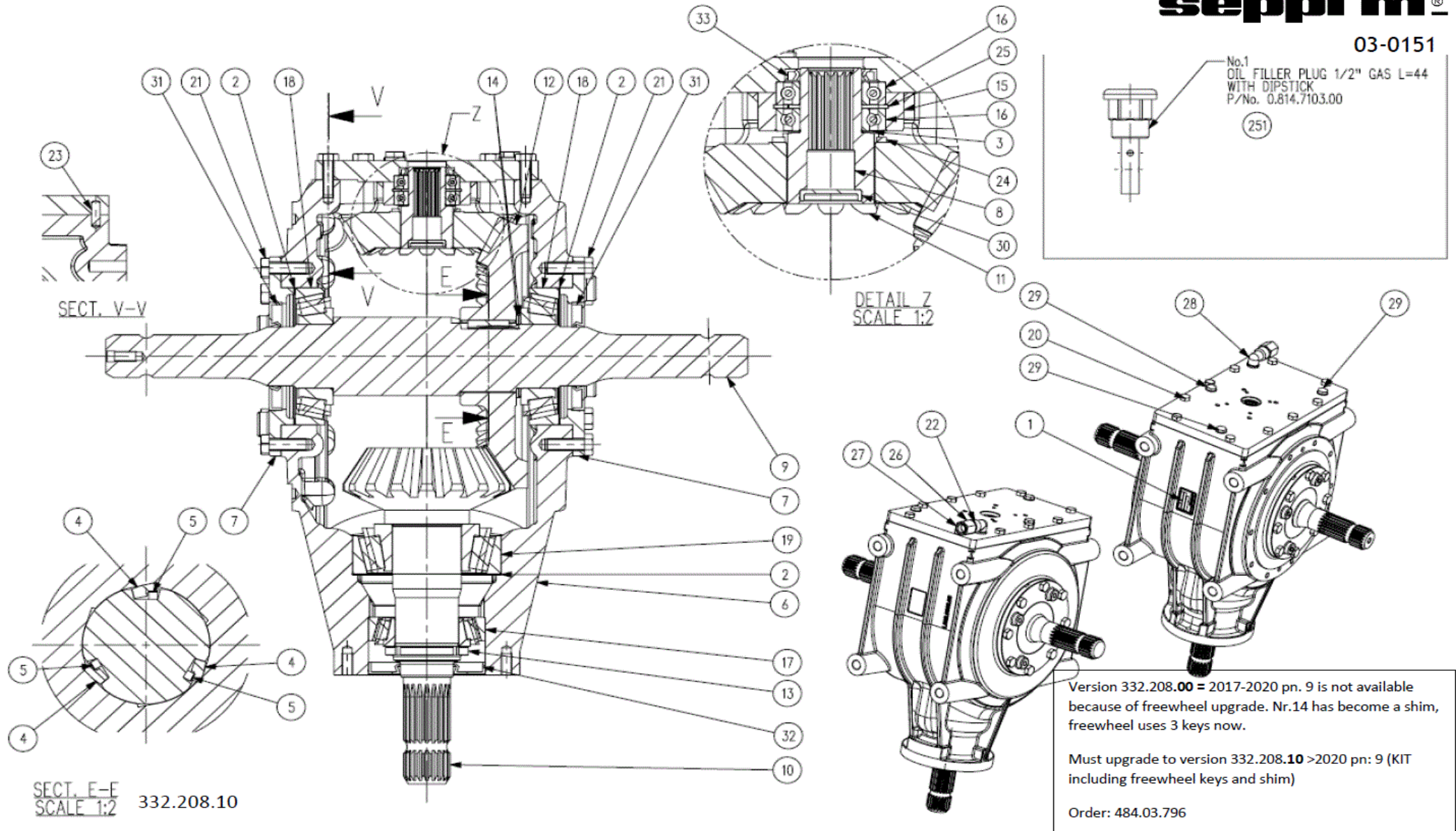


Pos.	Code	Descrizione	Description	Beschreibung	Description	Descripción	Quantity
001	20003199	GR. BRACCETTO ADAM	ADAM ARM GR	GR. ARM ADAM	GR. BRAS ADAM	GR. BRAZO ADAM	1
007	17203026	BRACCIO INTERNO MOD 10	INTERNAL BOOM MOD 10	ARM INTERN MOD 10	BRAS INTERNE MOD 10	BRAZO INTERNO MOD 10	1
009	17703076	ROTULA 50X51X25,4 SUP.2CAT	BALL JOINT 50X51X25,4 IICAT	KUGELGELENK 50X51X25,4 2.KAT.	ROTULE 50X51X25,4 IICAT	RÓTULA 50X51X25,4 IICAT	1
010	18401023	BOCCOLA BRONZO D40 X D50 L=40 + COLL	SELFLUBRICATING BUSHING 40X50X40	BRONZEBUECHSE 40 X 50 X 40 (CPS 40F50)	DOUILLE AUTOLUBRIFIANT 40X50X40	CASQUILLO DE BRONCE 40X50X40	2
011	20003202	GR BRACCETTO + BOCCOLE BRONZO	ARM GR + BRONZE BUSHINGS	GR ARM + BRONZEBUCHSEN	GR BRAS + DOUILLES BRONZE	GR BRAZO + CASQUILLOS DE BRONCE	1
012	18703062	PERNO CON GOCCIA D40X209 INT=45 M12	PIN WITH DRIP D40X209 INT=45 M12	BOLZEN M.PLATTE D40X209 INT=45 M12	PIVOT AVEC GOUTTE D40X209 INT=45 M12	PERNO DE GOTA D40X209 INT=45 M12	1
013	96605621	VITE TE M 8X 25 UNI 5739 8.8 ZN	BOLT TE M 08X025 UNI 5739 8.8 ZN	SCHRAUBE TE M 8 X 25 UNI 5739 8,8 ZN	VIS TE M 08X025 UNI 5739 8.8 ZN	TORNILLO TE M 8X 25 UNI 5739 8.8 ZN	1
014	96607721	VITE TE M10X 30 UNI 5739 8.8 ZN	BOLT TE M 10X030 UNI 5739 8.8 ZN	SCHRAUBE TE M 10 X 30 UNI 5739 8,8 ZN	VIS TE M 10X030 UNI 5739 8.8 ZN	TORNILLO TE M10X 30 UNI 5739 8.8 ZN	1
018	97036611	INGRESS DIRITTO UNI 71412 AM 6X1(5-8CH7	GREASE NIPPLE UNI 7663 AM 6-5.8	SCHMIERNIPPEL UNI 7663 AM 6X1(5-8)	GRAISSEUR UNI 7663 AM 6-5.8	LUBRICADOR UNI 7663 AM 6X1(5-8CH7	2
019	97094911	ROSETTA PIANA 08,4X16X1,6 M 8 ZN UNI6592	SMOOTH WASHER UNI 6592 - 08,4X16X1,6 ZN	GLATTE SCHEIBE UNI 6592 - 8,4X16X1,6 ZN	RONDELL. LISSE UNI 6592 - 08,4X16X1,6 ZN	ARANDELA PLANA UNI 6592-08,4X16X1,6 ZN	1
020	97095111	ROSETTA PIANA 10,5X20X2,0 M10 ZN UNI6592	SMOOTH WASHER UNI 6592 - 10,5X21X2,0 ZN	GLATTE SCHEIBE UNI 6592 - 10,5X21X2 ZN	RONDELL. LISSE UNI 6592 - 10,5X21X2,0 ZN	ARANDELA PLANA UNI 6592-10,5X21X2,0 ZN	1
022	97096211	ROSETTA PIANA 25,0X44X4,0 M24 ZN UNI6592	SMOOTH WASHER UNI 6592 - 25X44X4,0 ZN	GLATTE SCHEIBE UNI 6592 - 25X44X4 ZN	RONDELL. LISSE UNI 6592 - 25X44X4,0 ZN	ARANDELA PLANA UNI 6592-25,0X44X4,0 ZN	4
024	97156421	DADO AUTOBLOC.ALTO M24-6S UNI747	HIGH SELF-LOCKING NUT M24-6S UNI747	SELBSTFIX.MUTTER, HOCH M24-6S UNI747	ECROU AUTOBLOQ.ALTO M24-6S UNI747	TUERCA AUTOBLOQ.ALTA M24-6S UNI747	2
025	97494831	RONDELLA UNI 9195 ELSP 8,1X14,8X2,3 ZN	WASHER ELSP ASA B- 27 - 08,2X14,8X2 ZN	SCHEIBE ELSP ASA B- 27 - 08,2X14,8X2 ZN	RONDELLE ELS ASA B- 27 - 08,2X14,8X2 ZN	ARANDELA ELSP ASA B-27-8,2X14,8X2 ZN	1
026	97494931	RONDELLA UNI 9195 ELSP 10,2X18,1X2,6 ZN	WASHER ELSP ASA B- 27 - 10,2X18,1X2,2 ZN	SCHEIBE ELSP ASA B-27 - 10,2X18,1X2,2 ZN	RONDELLE ELS ASA B- 27 - 10,2X18,1X2,2 Z	ARANDELA ELSP ASA B-27-10,2X18,1X2,2 ZN	1
028	97495631	RONDELLA UNI 9195 ELSP 24,5X40 X6 ZN	WASHER ELSP ASA B- 27 - 24,5X40X5 ZN	SCHEIBE ELSP ASA B- 27 - 24,5X40X5 ZN	RONDELLE ELS ASA B- 27 - 24,5X40X5 ZN	ARANDELA ELSP ASA B-27-24,5X40X5 ZN	4
035	97093311	ROSETTA PIANA CARPENT. M14 ZN UNI5714	SMOOTH WASHER M 14 UNI 5714 ZN	GLATTE SCHEIBE F. M 14 UNI 5714 ZN	RONDELLE LISSE M 14 UNI 5714 ZN	ARANDELA PLANA M14 UNI 5714 ZN	8
036	97495231	RONDELLA UNI 9195 ELSP 16,2X27,4X4 ZN	WASHER ELSP ASA B- 27 - 16,2X27,4X3,5 ZN	SCHEIBE ELSP ASA B-27 - 16,2X27,4X3,5 ZN	RONDELLE ELS ASA B- 27 - 16,2X27,4X3,5 Z	ARANDELA ELSP ASA B-27-16,2X27,4X3,5 Z	4
037	97972521	DADO AUTOBLOC.BASSO M16-6S UNI7474	LOW.SELFBLOCK.NUT M 16-6S UNI7474	SELBSTSICHER.MUTTER M16-6S UNI7474 NIED.	ECROU AUTOSERR.M 16-6S UNI7474	TUERCA AUTO BLOQ. BAJA M 16-6S UNI7474	4
062	17203104	GR. INTERFACCIA ADAM UNIVERSALE	ADAM UNIVERSAL INTERFACE GR.	GR. UNIVERSELLE SCHNITTSTELLE ADAM	GR. INTERFACE ADAM UNIVERSELLE	GR. INTERFAZ ADAM UNIVERSAL	1
063	17203076	BLOCCAGGIO SU TRATTORE X ADAM UNIVERSALE	LOCKING ON TRACTOR FOR ADAM UNIVERSAL	BLOCKIERUNG AUF TRAKTOR FÜR ADAM UNIV.	BLOCAGE SUR TRACTEUR POUR ADAM UNIVERSEL	BLOQUEO EN TRACTOR P/ ADAM UNIVERSAL	1
064	17203083	BLOCCAGGIO REGOLABILE X ADAM UNIVERSALE	ADJUSTABLE LOCKING FOR ADAM UNIVERSAL	VERSTELLBARE BLOCKIER. FÜR ADAM UNIV.	BLOCAGE RÉGLABLE POUR ADAM UNIVERSEL	BLOQUEO REGULABLE P/ ADAM UNIVERSAL	1
065	17203079	INTERFACCIA DI MONTAGGIO X ADAM UNIVER.	ASSEMBLY INTERFACE FOR ADAM UNIVER.	MONTAGESCHNITTSTELLE FÜR ADAM UNIVER.	INTERFACE DE MONTAGE POUR ADAM UNIVER.	INTERFAZ DE MONTAJE P/ ADAM UNIVER.	1
066	14004107	PERNO CON GOCCIA D25X107/126 M20X1 M8	PIN WITH PLATE D25X 107 M20X1 M8	BOLZEN MIT FIXIERUNG D25X 107 M20X1 M8	GOUJON À PLAQUE D25X 107 M20X1 M8	PERNIO C.PLANCHA D25X 107 M20X1 M8	1
067	13005232	GHIERA AUTOBLOCCANTE M20 X 1	SELF LOCKING RING NUT M20 X 1	SELBSTFIX.NUTMUTTER M20 X 1	ANNEAU DE FIXATION AUTO-BLOQUANT M20 X 1	VIROLA AUTO BLOQUEADORA M20 X 1	1
069	96622421	VITE TE M24X100 UNI 5737 8.8 ZN	HEX HEAD SCREW M24X100 UNI 5737 8.8 GV	SCHRAUBE TE M24X100 UNI 5737 8,8 ZN	VIS TH M24X100 UNI 5737 8.8 ZN	TORNILLO TH M24X100 UNI 5737 8.8 GALV.	2
070	96615623	VITE TE M16X110 UNI 5737 10.9 ZN	BOLT TE M16X110 UNI 5737 10.9 ZN	SCHRAUBE TE M 16 X 110 UNI 5737 10,9 ZN	VIS TE M16X110 UNI 5737 10.9 ZN	TORNILLO TE M16X110 UNI 5737 10.9 ZN	4
071	96613023	VITE TE M14X 70 UNI 5739 10.9 ZN	BOLT TE M14X 70 UNI 5739 10.9 GV	SCHRAUBE TE M14X 70 UNI 5739 10.9 ZN	VIS TH M14X 70 UNI 5739 10.9 ZN	TORNILLO TE M14X 70 UNI 5739 10.9 GALV.	4
072	97495131	RONDELLA UNI 9195 ELSP 14,2X24,1X3,5 ZN	WASHER ELSP ASA B- 27 - 14,2X24,1X3 ZN	SCHEIBE ELSP ASA B- 27 - 14,2X24,1X3 ZN	RONDELLE ELS ASA B- 27 - 14,2X24,1X3 ZN	ARANDELA ELSP ASA B-27-14,2X24,1X3 ZN	4
074	97155421	DADO AUTOBLOC.ALTO M14-6S UNI747	SELFBLOCK NUT M14-6S UNI747	SELBSTSICHER.MUTTER M 14-6S UNI7474 HOCH	ECROU AUTOSERR M14-6S UNI747	TUERCA AUTO BLOQ. M14-6S UNI747	4

076	96697923	VITE TCEI M16X 40 UNI 5931 8.8 NERA	BOLT TCEI M 16X040 UNI 5931 8.8 BLACK	SCHRAUBE M 16X040 UNI 5931 8.8 SCHW.	VIS TCEI M 16X040 UNI 5931 8.8 NOIRE	TORNILLO TCEI M16X 40 UNI 5931 8.8 NEGRO	2
-----	----------	----------------------------------------	------------------------------------------	-----------------------------------------	-----------------------------------------	---------------------------------------------	---

**seppi m®**

03-0151





Pos.	Code	Descrizione	Description	Beschreibung	Description	Descripción	Quantity
001	48403735	TARGHETTA "COMER"					1
002	48403331	SPES. REG. 125.5 X 139.5	SPAC.REG.125.5 X 139.5	STAERKE REG.125.5 X 139.5	ÉPAIS.RÉG.125.5 X 139.5	ESP.REG.125.5 X 139.5	3
003	48030178	SPESSORE REG.35,3X48,0 (0.259.7500.00)	SPACER REG. 35,3 X 48	DISTANZSCHEIBE 35,3 X 48,0	EPAISSEUR REG. 35,3 X 48	COJINETE REG.35,3X48,0 (0.259.7500.00)	1
004	48403795	LINGUETTA X RL. (0.269.7119.00)	FEATHER FOR FR WHEEL (0.269.7119.00)	PASSFEDER F. FREILAUF (0.269.7119.00)	LANGUETTE P.R.L. (0.269.7119.00)	LENGÜETA X RL. (0.269.7119.00)	3
005	48403793	MOLLA A LAMINA RL (0.269.7120.00)	SPRING F.FREE WH. RL (0.269.7120.00)	BLATTFEDER FREILAUF (0.269.7120.00)	RESSORT P.R.L. (0.269.7120.00)	RESORTE P.R.L. RL (0.269.7120.00)	3
006	48403736	SCATOLA T4	HOUSING	GEHAUSE	BOITIER	CAJA	1
007	48403328	COPERCHIO	COVER	DECKEL	COUVERCLE	TAPA	2
008	48403737	ALBERO A.P. ( GRUPPO 1 E 2 )	SHAFT FOR PUMP CONNECTION	WELLE PUMPENSCHLUSS	ARBRE DE RACCORDÉMENT DE LA POMPE	EJE CONNEXION BOMBA	1
009	48403796	KIT ALBERO USCITA PASSANTE 1"3/4 Z20 M20	OUTPUT CROSS SHAFT KIT 1"3/4 Z20 M20	KIT DURCHT.AUSGANGSWELLE 1"3/4 Z20 M20	KIT ARB.SORTIE PASS. 1"3/4 Z20 M20	KIT EJE SALIDA PASANTE 1"3/4 Z20 M20	1
010	48403327	PIGNONE CONICO Z17 M8.5 (0.332.5000.00)	TAPERED PINION Z17 M8.5 (0.332.5000.00)	KEGELRAD Z17 M8.5 (0.332.5000.00)	PIGNON CONIQUE Z17 M8.5 (0.332.5000.00)	PIÑÓN CÓNICO Z20 M7 (0.332.5000.00)	1
011	48403738	PIGNONE A.P.	PINION	KEGELRAD	PIGNON	PINON	1
012	48403488	CORONA CONICA RL Z33 M8.5 (0.332.6201.00)	TAPER CROWN RL Z33 M8.5 (0.332.6201.00)	KEGELKRANZ RL Z33 M8.5 (0.332.6201.00)	COURONNE CONIQUE RL Z33 M8.5(0.332.6201.	CORONA CÓNICA RL Z33 M8.5 (0.332.6201.00)	1
013	48403483	DADO REGISTRAZIONE M60X2 (332.7100.00)	ADJUSTMENT NUT M60X2 (332.7100.00)	EINSTELLMUTTER M60X2 (332.7100.00)	ÉCROU DE RÉGLAGE M60X2 (332.7100.00)	TUERCA REGULACIÓN M60X2 (332.7100.00)	1
015	48403739	COPERCHIO A.P. ( GRUPPO 1 E 2 )	COVER	DECKEL	COUVERCLE	TAPA	1
016	48403740	CUSC. SFERE CLB 6007	BALL BEARING 6007	KUGELLAGER 6007	ROULLEMENT 6007	RODAMIENTO 6007	2
017	48403334	CUSCINETTO 32212 RUL.CON.	TAPERED ROLLER BEARING 32212	LAGER 32212 KEGELROLLE	ROULEMENT 32212 ROUL.CON.	COJINETE 32212 ROD.CON.	1
018	48403269	CUSCINETTO 30313 65X140X36 RUL.CON	bearing 30313 A RULLI ( 8.0.9.01375 )	KON. ROLLENLAGER 30313 65X140X36	ROULEMENT 30313 A RULLI ( 8.0.9.01375 )	RODAM. 30313 65X140X36 ROD. CONICOS	2
019	48403333	CUSCINETTO 32313 RUL.CON.	TAPERED ROLLER BEARING 32313	LAGER 32313 KEGELROLLE	ROULEMENT 32313 ROUL.CON.	COJINETE 32313 ROD.CON.	1
020	96607821	VITE TE M10X 35 UNI 5739 8.8 ZN	BOLT TE M 10X035 UNI 5739 8.8 ZN	SCHRAUBE TE M 10 X 35 UNI 5739 8,8 ZN	VIS TE M 10X035 UNI 5739 8.8 ZN	TORNILLO TE M10X 35 UNI 5739 8.8 ZN	10
021	96610021	VITE TE M12X 35 UNI 5739 8.8 ZN	BOLT TE M 12X035 UNI 5739 8.8 ZN	SCHRAUBE TE M 12 X 35 UNI 5739 8,8 ZN	VIS TE M 12X035 UNI 5739 8.8 ZN	TORNILLO TE M12X 35 UNI 5739 8.8 ZN	16
022	48403341	ROS. RAME 1/2G 21,46X28X1	COPPER WASHER 1/2G 21.46X28X1	SCHEIBE KUPFER 1/2G 21,46X28X1	ROS.CUIVRE 1/2G 21,46X28X1	ARAN.COBRE 1/2G 21,46X28X1	1
023	48403741	SPINA CIL.COLLEG. 8X25UNI1707	ROLL PIN 8X25	SPANNSTIFT 8X25	GOUJON ELAST. 8X25	PERNO ELASTICO 8X25	2
024	48403130	ANELLO EL. PER ALBERI 55X3 UNI7436	EL.RING F.SHAFTS 55 H=3 (8.5.1.00928)	WELLENSPANNRING 55 H=3 (8.5.1.00928)	BAGUE ARRET P.ARBRES 55 H=3 (8.5.1.00928)	RETEN EL.P.EJES 55 H=3 (8.5.1.00928)	1
025	48403742	ANELLO EL.SIC. X FORO 62 UNI7437	EL.RING FOR HOLES 62	SEEGERRING F.LOECHER 62	BAGUE ARRET P.TROUS 62	RETEN EL. P. ORIFICIOS 62	1
026	48403279	PROLUNGA TAPPO SFI.1/2GAS (8.6.0.01113)	EXT.SHAFT FOR CAP SFI.1/2GAS (8.6.0.01113)	VERLAENG. F. PFROPFEN SFI.1/2GAS(8.6.0.	PROL. POUR BOUCHON SFI.1/2GAS(8.6.0.0111	PROL. . X TAPA SFI.1/2GAS (8.6.0.01113)	1
027	48403881	SOTTOTAPPO G1/2" (8.6.0.01202)	COUPLING G1/2"	ANSCHLUSSSTUECK G1/2"	ACCOUPLÉMENT G1/2"	ACOPLAMENTO G1/2"	1
028	48403743	RACC. A 90° LF20 M+F 1/2"GAS	FITTING 90° LF20 M+F 1/2"GAS	ANSCHLUSSST. 90° LF20 M+F 1/2"GAS	RACCORD 90° LF20 M+F 1/2"GAS	RACOR 90° LF20 M+F 1/2"GAS	1
029	48403232	TAPPO CON.ESAG.EST.1/2"GAS (8.6.5.00203)	CAP EXT.HEX. 1/2"GAS (8.6.5.00203)	PFROPFEN AUSS. SECHSKANT 1/2"GAS	BOUCHON HEX.EXT. 1/2"GAS (8.6.5.00203)	TAPON CON.EXAGONO.EST.1/2"GAS (86500203)	3
030	48403744	CAPPELOTTO DI CHI. 35X7	CLOSING CAP 35X7	VERSCHLUSSKAPPE 35X7	CAPUCHON DE FERMETURE 35X7	SOMBRETE DE CIERRE 35X7	1
031	48403487	AN.TEN.LAB.PAR. BAU3SLX2 60X110X12	OIL SEAL BAU3SLX2 60X110X12	DICHTUNGSRING LABYRINTH PAR. BAU3SLX2 60	ANN. D=ÉT. A LÉV. PAR. BAU3SLX2 60X110X1	AN.TEN.LAB.PAR. BAU3SLX2 60X110X12	2
032	48403335	ANELLO DI TENUTA 50X110X12 8.7.1.02350	SEALING RING 50 X 110 X12	DICHTUNGSRING 50 X 110 X 12	ANNEAU D'ÉTANCHÉITÉ 50 X 110 X 12	RETÉN 50 X 110 X 12	1

033	48403611	AN.TEN.NORM. BA 35 X 52 X 7	AN.TEN.NORM. BA 35 X 52 X 7	DICHTUNGSRING NORM. BA 35 X 52 X 7	ANN. ÉTA. NORM. BA 35 X 52 X 7	AN.RETEN.NORM. BA 35 X 52 X 7	1
251	48403880	TAPPO CAR.SF.C. ASTA G1/2" L=44	BREATHER PLUG G1/2" L=44	ENTLUEFTUNGS PROPFEN G1/2" L=44	BUCHON G1/2" L=44	TAPON G1/2" L=44	1

Hood

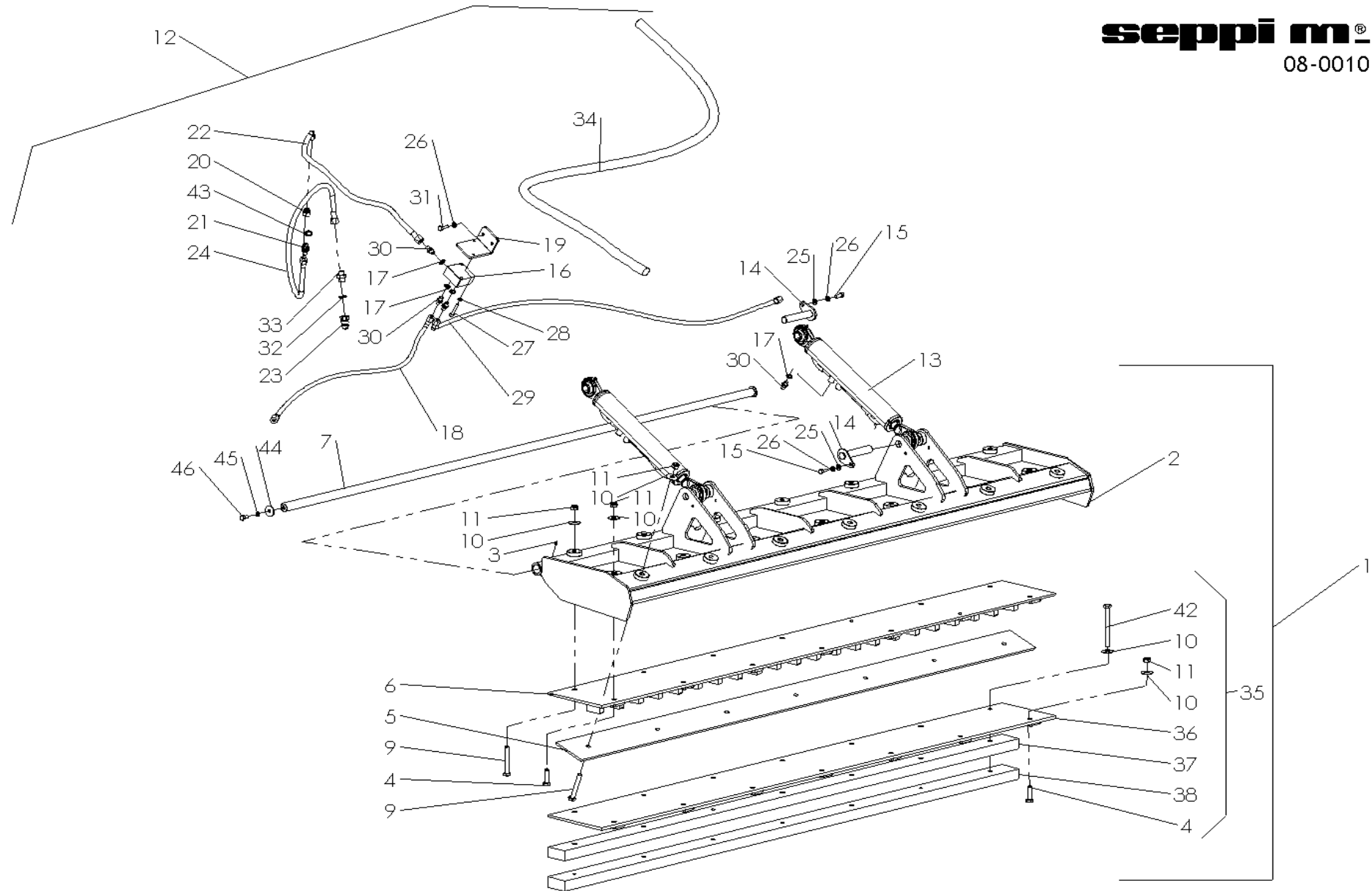
cofano

Haube

Capot

Capó

**seppi m®**  
08-0010

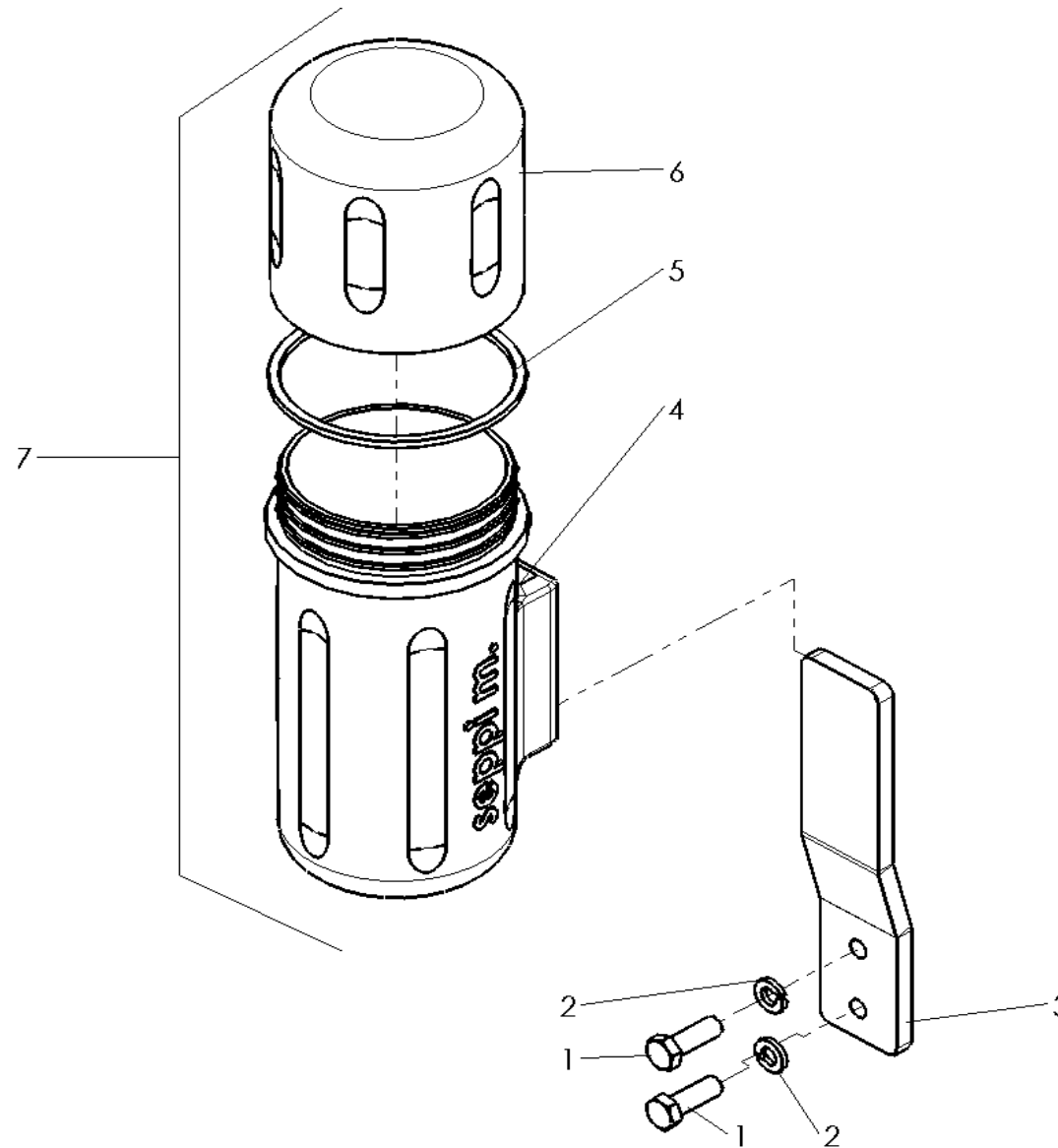


Pos.	Code	Descrizione	Description	Beschreibung	Description	Descripción	Quantity
001	17208004	GR.COFANO SUPERSOIL L=250	HOOD UNIT SUPERSOIL L=250	GR. HAUBE SUPERSOIL L=250	GR.CAPOT SUPERSOIL L=250	GR.CAPÓ SUPERSOIL L=250	1
002	17208006	COFANO CPL SUPERSOIL L=250	HOOD CPL SUPERSOIL L=250	KPL. HAUBE SUPERSOIL L=250	CAPOT CPL SUPERSOIL L=250	CAPÓ CPL SUPERSOIL L=250	1
003	97036611	INGRASS DIRITTO UNI 71412 AM 6X1(5-8CH7	GREASE NIPPLE UNI 7663 AM 6-5.8	SCHMIERNIPPEL UNI 7663 AM 6X1(5-8)	GRAISSEUR UNI 7663 AM 6-5.8	LUBRICADOR UNI 7663 AM 6X1(5-8CH7	10
004	96611827	VITE TE M14X 50 UNI 5737 8.8 NERA	HEX HEAD SCREW M14X 50 UNI 5737 8.8 BLAC	SCHRAUBE TE M14X 50 UNI 5737 8.8 SCHW.	VIS TH M14X 50 UNI 5737 8.8 NOIRE	TORNILLO TE M14X 50 UNI 5737 8.8 NEGRO	8
005	17208017	CONTROPIASTRA INF X COFANO 250 CPL	ANVIL FOR HOOD 250	GEGENPLATTE UNT. FUER HAUBE 250 KPL	CONTRE-PLAQUE INF POUR CAPOT 250 CPL	CONTRA PLANCHA INF X CAPÓ 250 CPL	1
006	17208021	CONTROPIASTRA SUP X COFANO 250 CPL	HOOD TOP BACKPLATE 250 CPL	GEGENPLATTE OBEN FUER HAUBE 250 KPL	CONTRE-PLAQUE SUP POUR CAPOT 250 CPL	CONTRA PLANCHA SUP X CAPÓ 250 CPL	1
007	17208028	ASTA X CERNIERE COFANO 250	ROD HOOD HINGE 250	HAUBEN SCHARNIERSTANGE 250	TIGE CHARNIÈRE CAPOT 250	BARRA BISAGRA CAPÓ 250	1
009	96621627	VITE TE M14X100 UNI 5739 8.8 NERA	HEX HEAD SCREW M14X100 UNI 5739 8.8 BLAC	SCHRAUBE TE M14X100 UNI 5739 8.8 SCHW.	VIS TH M14X100 UNI 5739 8.8 NOIRE	TORNILLO TH M14X100 UNI 5739 8.8 NEGRO	16
010	19201010	MOLLA A TAZZA 40X14,3X2	SPRING 40X14,3X2 N	TELLERFEDER 40X14,3X2	RESSORT 40X14,3X2 N	MUELLE 40X14,3X2 N	24
011	97972321	DADO AUTOBLOC.BASSO M14-6S UNI7474	LOW.SELFBLOCK.NUT M 14-6S UNI7474	SELBSTSICHER.MUTTER M14-6S UNI7474 NIED.	ECROU AUTOSERR.M 14-6S UNI7474	TUERCA AUTO BLOQ. BAJA M 14-6S UNI7474	24
012	18712003	GR.IMP.IDR. X COFANO MAXISOIL	HYDR.SYS.UNIT X HOOD MAXISOIL	GR. HYDRAULIKANLAGE FUER HAUBE MAXISOIL	GR.INST.HYDR. POUR CAPOT MAXISOIL	GR.INST.HIDR. X CAPÓ MAXISOIL	1
013	18012001	CILINDRO HYD 60X30X345 (595-940)	HYDR.CYL. 60X30X345 (595-940) + VAL	HYDR. ZYL. 60 X 30 X 345 + STOPVENTIL	CYLINDRE HYD 60X30X345 (595-940) + VAL	CILINDRO HIDR. 60X30X345 (595-940) + VAL	2
014	19004038	PERNO CON GOCCIA D25X125 INT=45 M10	PIN WITH PLATE D 25X125 INT=45	BOLZEN M.PLATTE D 25X125 INT=45	GOUJON A.PLAQUE D 25X125 INT=45	PERNO CON PLACA D 25X125 INT=45	4
015	96607631	VITE TE M10X 25 UNI 5739 10.9 ZN	HEX HEAD SCREW M10X 25 UNI 5739 10.9 GV	SCHRAUBE TE M10X 25 UNI 5739 10.9 ZN	VIS TH M10X 25 UNI 5739 10.9 ZN	TORNILLO TE M10X 25 UNI 5739 10.9 GALV	4
016	17912004	BLOCCO ALLUM.4 VIE 1/4 40X70	ALUM.BLOC 4 VIE 1/4" 40X70	ALLUM. BLOCK 4-WEGE 1/4" 40X70	BLOC D'ALUM. 4 VIE 1/4" 40X70	BLOQUE ALUM. 4 VIE 1/4" 40X70	1
017	96508160	GUARNIZ.TIPO BONDED AUTOCENT. 1/4"	COPPER GASKET 14 X 18(1/4")	KUPFERDICHTUNG 14 X 18 (1/4")	JOINT EN CUIVRE 14 X 18(1/4")	JUNTA SECC. RECT. A14 X 18 (1/4")	10
018	20012015	TUBO IDR R2AT 1/4" 1000-FD-F90	HOSE SAE R2ATDN 1/4"X 1000 FD-F90	SCHLAUCH SAE R2ATDN 1/4"X 1000 FD -F90	TUBE SAE R2ATDN 1/4"X 1000 FD -F90	TUBO SAE R2ATDN 1/4"X 1000 FD -F90	2
019	18712002	SOSTEGNO BLOCCO A 4 VIE X COFANO	4-WAY BLOCK SUPPORT X HOOD	HALTERUNG 4-WEGE-BLOCK FUER HAUBE	SUPPORT BLOCAGE À 4 VOIES POUR CAPOT	SOPORTE DE BLOQUE DE 4 VÍAS X CAPÓ	1
020	75000400	RACCORDO RIDUZ. F3/8" - M1/4" L.ES=22	COUPLING M1/4"-F3/8"	REDUZIERSTUECK M 1/4" - F 3/8"	JOINT M1/4"-F3/8"	EMPALME M1/4"-F3/8"	2
021	17712029	RACCORDO PASSAPARETE M3/8"-M3/8"	PANEL FEED-THROUGH FITTING M3/8"-M3/8"	ANSCHLUSS SCHOTTVERSCHRAUBUNG M3/8"-M3/8"	RACCORD PASSE-PAROI M3/8"-M3/8"	RACOR PASAMUROS M3/8"-M3/8"	2
022	17612010	TUBO IDR R2AT 1/4" 700-FD-F90	HYDR. TUBE SAE R2ATDN 1/4"X 700 FD-F9	SCHLAUCH SAE R2ATDN 1/4"X 700 FD-F9	TUYAU HYDR SAE R2ATDN 1/4"X 700 FD-F9	TUBO HIDR SAE R2ATDN 1/4"X 700 FD-F9	2
023	19412004	INNESTO RAPIDO A FUNGHETTO BIR 1/2" M	"FASTER" CLUTCH 1/2"M	SCHNELLKUPPLUNG "FASTER" 1/2"M	EMBRAYAGE RAPID "FASTER" 1/2"M	EMBRAGUE RAPIDO "FASTER" 1/2" MACHO	2
024	16912024	TUBO IDR R2AT 3/8" 1500-FD-FD	HYDR. TUBE SAE R2ATDN 3/8"X 1500 FD-FD	SCHLAUCH SAE R2ATDN 3/8"X 1500 FD-FD	TUYAU HYDR SAE R2ATDN 3/8"X 1500 FD-FD	TUBO HIDR SAE R2ATDN 3/8"X 1500 FD-FD	2
025	97095111	ROSETTA PIANA 10,5X20X2,0 M10 ZN UNI6592	SMOOTH WASHER UNI 6592 - 10,5X21X2,0 ZN	GLATTE SCHEIBE UNI 6592 - 10,5X21X2 ZN	RONDELL.LISSE UNI 6592 - 10,5X21X2,0 ZN	ARANDELA PLANA UNI 6592-10,5X21X2,0 ZN	4
026	97494931	RONDELLA UNI 9195 ELSP 10,2X18,1X2,6 ZN	WASHER ELSP ASA B- 27 - 10,2X18,1X2,2 ZN	SCHEIBE ELSP ASA B-27 - 10,2X18,1X2,2 ZN	RONDELLE ELS ASA B- 27 - 10,2X18,1X2,2 Z	ARANDELA ELSP ASA B-27-10,2X18,1X2,2 ZN	6
027	96691121	VITE TCEI M 8X 50 UNI 5931 8.8 ZN	BOLT TCEI M 08X050 UNI 5931 8.8 ZN	SCHRAUBE TCEI M 08X050 UNI 5931 8.8 ZN	VIS TCEI M 08X050 UNI 5931 8.8 ZN	TORNILLO TCEI M 8X 50 UNI 5931 8.8 ZN	2
028	97494831	RONDELLA UNI 9195 ELSP 8,1X14,8X2,3 ZN	WASHER ELSP ASA B- 27 - 08,2X14,8X2 ZN	SCHEIBE ELSP ASA B- 27 - 08,2X14,8X2 ZN	RONDELLE ELS ASA B- 27 - 08,2X14,8X2 ZN	ARANDELA ELSP ASA B-27-8,2X14,8X2 ZN	2
029	20012018	TUBO IDR R2AT 1/4" 2200-FD-F90	HOSE SAE R2ATDN 1/4"X 2200 FD-F90	SCHLAUCH SAE R2ATDN 1/4"X 2200 FD -F90	TUBE SAE R2ATDN 1/4"X 2200 FD -F90	TUBO SAE R2ATDN 1/4"X 2200 FD -F90	2
030	48120022	NIPPL M-M 1/4"	COUPLING M 1/4	NIPPL M-M 1/4"	JOINT M 1/4	EMPALME M 1/4	10
031	96607721	VITE TE M10X 30 UNI 5739 8.8 ZN	BOLT TE M 10X030 UNI 5739 8.8 ZN	SCHRAUBE TE M 10 X 30 UNI 5739 8,8 ZN	VIS TE M 10X030 UNI 5739 8.8 ZN	TORNILLO TE M10X 30 UNI 5739 8.8 ZN	2

032	96508460	GUARNIZ. TIPO BONDED AUTOCENT. 1/2"	COPPER GASKET 21,5X27 (1/2")	KUPFERDICHTUNG 21,5 X 27 (1/2")	JOINT EN CUIVRE 21,5X27 (1/2")	JUNTA SECC. RECT. A21,5X 27 (1/2")	2
033	42012004	NIPPLO DI RIDUZIONE M-M 1/2" - 3/8"	ADAPTING COUPLING M-M 1/2"- 3/8"	REDUZIERNIPPL M-M 1/2"-3/8"	JOINT ADAPTEUR M-M 1/2"-3/8"	EMPALME REDUCTOR M-M 1/2"-3/8"	2
043	96508360	GUARNIZ. TIPO BONDED AUTOCENT. 3/8"	COPPER GASKET 17 X 22(3/8")	KUPFERDICHTUNG 17 X 22 (3/8")	JOINT EN CUIVRE 17 X 22(3/8")	JUNTA SECC. RECT. A17 X 22 (3/8")	2
044	43001021	RONDELLA ISO7093/2 GREMBIALINA 10X40X2,5	WASHER UNI 1737 10X32X205	SCHEIBE UNI 1737 10X40X2,5	RONDELLE UNI 1737 10X32X2,5	ARANDELA UNI 1737 10X40X2,5	2
045	97101631	RONDELLA DIN 7980 ELSP 10,2X16,0X2,5 ZN	WASHER DIN 7980 ELSP 10.2X16.0X2.5 GV	FEDERRING DIN 7980 10,2X16,0X2,5 ZN	RONDELLE DIN 7980 ELSP 10,2X16,0X2,5 ZN	ARANDEL DIN 7980 ELSP 10,2X16,0X2,5 GALV	2
046	96607521	VITE TE M10X 20 UNI 5739 8.8 ZN	BOLT TE M 10X020 UNI 5739 8.8 ZN	SCHRAUBE TE M 10X20 UNI 5739 8,8 ZN	VIS TE M 10X020 UNI 5739 8.8 ZN	TORNILLO TE M10X 20 UNI 5739 8.8 ZN	2

**seppi m.**<sup>®</sup>

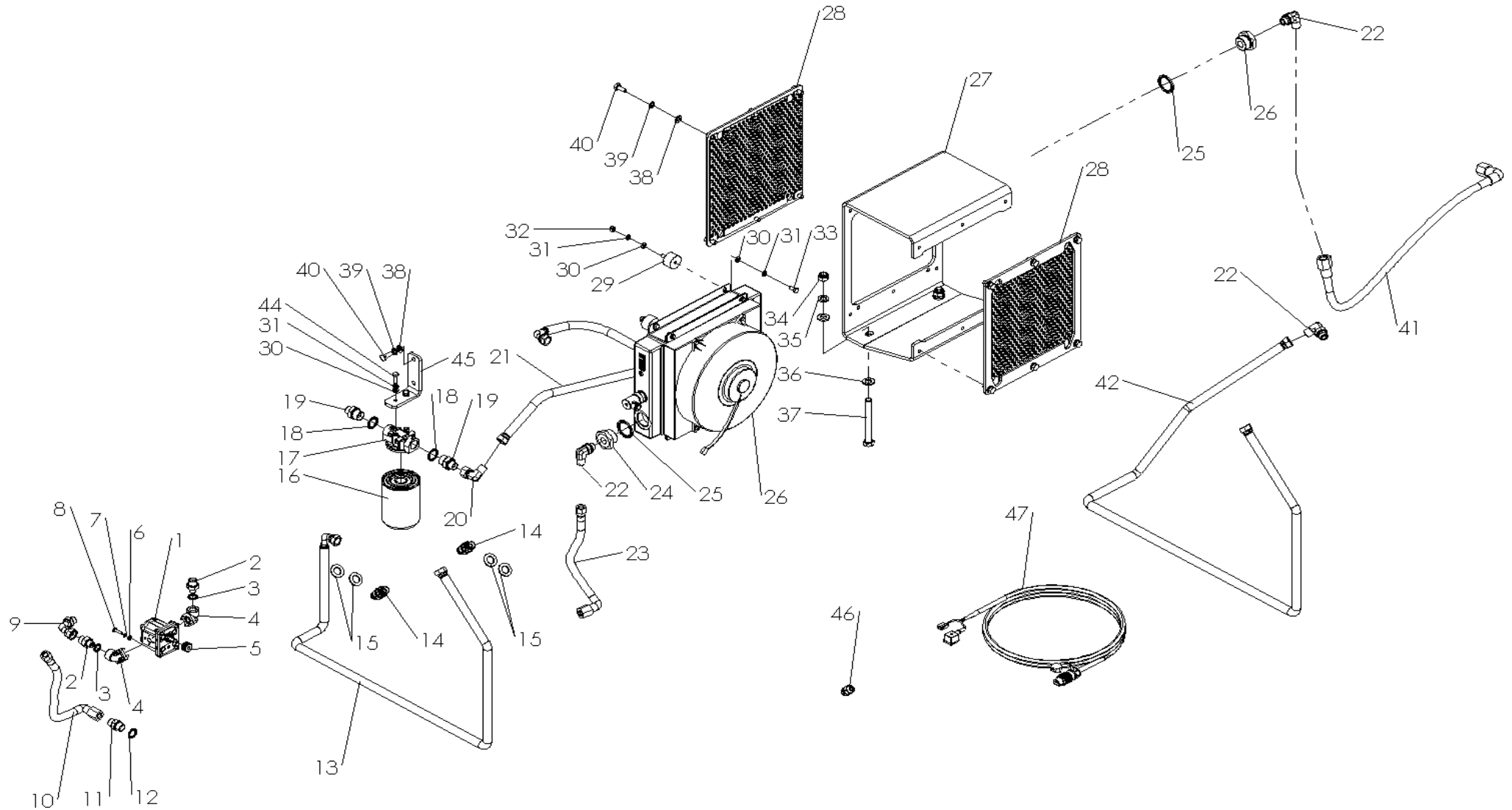
11-0002



Pos.	Code	Descrizione	Description	Beschreibung	Description	Descripción	Quantity
001	96605621	VITE TE M 8X 25 UNI 5739 8.8 ZN	BOLT TE M 08X025 UNI 5739 8.8 ZN	SCHRAUBE TE M 8 X 25 UNI 5739 8,8 ZN	VIS TE M 08X025 UNI 5739 8.8 ZN	TORNILLO TE M 8X 25 UNI 5739 8.8 ZN	2
002	97494831	RONDELLA UNI 9195 ELS 8,1X14,8X2,3 ZN	WASHER ELSP ASA B- 27 - 08,2X14,8X2 ZN	SCHEIBE ELSP ASA B- 27 - 08,2X14,8X2 ZN	RONDELLE ELS ASA B- 27 - 08,2X14,8X2 ZN	ARANDELA ELSP ASA B-27- 8,2X14,8X2 ZN	2
003	13011077	PIASTRA X CONTENITORE	CONTAINER PLATE	PLATTE FUER BEHAELTER	PLAQUE POUR RÉCIPIENT	PLACA X CONTENEDOR	1
004	13011069	CONTENITORE PER MANUALI	CONTAINER FOR MANUALS	BEHAELTER FUER HANDBUECHER	RÉCIPIENT POUR MANUELS	CONTENEDOR PARA MANUALES	1
005	13011072	GUARNIZIONE PER CONTENITORE MANUALI	GASKET FOR MANUALS CONTAINER	DICHTUNG FUER BEHAELTER FUER HANDBUECHER	JOINT POUR RÉCIPIENT MANUELS	JUNTA PARA CONTENEDOR DE MANUALES	1
006	13011070	TAPPO PER CONTENITORE MANUALI	CAP FOR MANUALS CONTAINER	DECKEL FUER BEHAELTER FUER HANDBUECHER	BOUCHON POUR RÉCIPIENT MANUELS	TAPÓN PARA CONTENEDOR DE MANUALES	1
007	13011071	CONTENITORE CPL PER MANUALI	MANUAL HOLDER	BEHAELTER KPL FUER HANDBUECHER	CONTENITEUR POUR MANUELS	RECIPIENTE PARA LOS MANUALES	1

**seppi m.**<sup>®</sup>

12-0107A



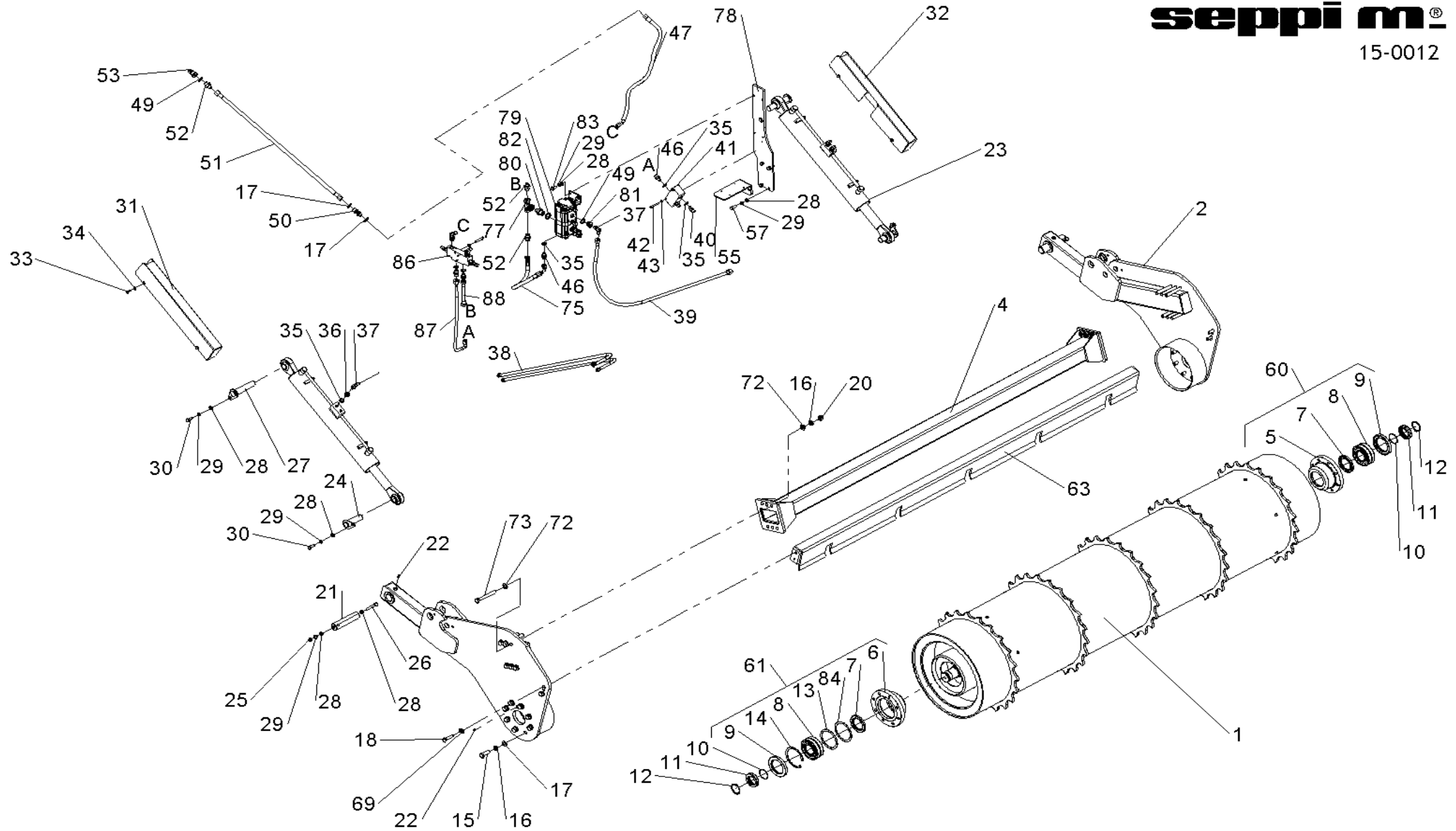


Pos.	Code	Descrizione	Description	Beschreibung	Description	Descripción	Quantity
001	16903014	POMPA A INGRANAGGI V=4.35CC DX	GEAR PUMP V=4.35CC RH	ZAHNGETRIEBEPUMPE V=4.35CC RECHTS	POMPE À ENGRANAGES V=4,35 CC DROITE	BOMBA DE ENGRANAJES V=4,35CC DER	1
002	42012004	NIPPO DI RIDUZIONE M-M 1/2" - 3/8"	ADAPTING COUPLING M-M 1/2"-3/8"	REDUZIERNIPPL M-M 1/2"-3/8"	JOINT ADAPTEUR M-M 1/2"-3/8"	EMPALME REDUCTOR M-M 1/2"-3/8"	2
003	96508360	GUARNIZ. TIPO BONDED AUTOCENT. 3/8"	COPPER GASKET 17 X 22(3/8")	KUPFERDICHTUNG 17 X 22 (3/8")	JOINT EN CUIVRE 17 X 22(3/8")	JUNTA SECC. RECT. A17 X 22 (3/8")	2
004	42012098	RACC. FLAN. 90° F3/8" INT.30 CPL VITI+OR	COUPLING F3/8" D30 CPL	ANSCHLUSSSTUECK F3/8" D30 KPL	RACCORD COUD• F3/8" D30 CPL	RACOR DE CODO F3/8" D30 CPL	2
005	16903037	MOZZO SCAN. 25X22 Z14 LIN. 2.4 CON. 1:8	SPLINED HUB 25X22 Z14 LIN. 2.4 CON. 1:8	KEILNABE 25X22 Z14 LIN. 2.4 KON. 1:8	MOYEU ROUE.F 25X22 Z14 LIN. 2.4 CON. 1:8	BUJE ACANAL. 25X22 Z14 LEN. 2.4 CON. 1:8	1
006	97094611	ROSETTA PIANA 06,4X12X1,6 M 6 ZN UNI6592	SMOOTH WASHER UNI 6592-06,4X11X1,6 ZN	GLATTE SCHEIBE UNI 6592-6,4X11X1,6 ZN	RONDELL. LISSE UNI 6592-06,4X11X1,6 ZN	ARANDELA PLANA UNI 6592-06,4X11X1,6 ZN	4
007	97494731	RONDELLA UNI 9195 ELSP 6,1X11,8X1,6 ZN	WASHER ELSP ASA B- 27 - 06,1X11,8X1,6 ZN	SCHEIBE ELSP ASA B-27 - 06,1X11,8X1,6 ZN	RONDELLE ELS ASA B- 27 - 06,1X11,8X1,6 Z	ARANDELA ELSP ASA B-27-6,1X11,8X1,6 ZN	4
008	96603821	VITE TE M 6X 25 UNI 5739 8.8 ZN	BOLT TE M 06X025 UNI 5739 8.8 ZN	SCHRAUBE TE M6 X 25 UNI 5739 8,8 ZN	VIS TE M 06X025 UNI 5739 8.8 ZN	TORNILLO TE M 6X 25 UNI 5739 8.8 ZN	4
009	13112009	CURVA 90° M-F GIREVOLE G 1/2"	JOIN 90°DA 1/2"CON RACC.GIREV.MFG90G1/2	KNIE 90° 1/2"DREH. MFG90G1/2	CONNECTIONS 90°DA 1/2"CON RACC.GIREV.MFG	CONNECTIONS 90°DA 1/2"CON RACC.GIREV.MFG	1
010	18003059	TUBO IDR R2AT 1/2" 700-FD-F90	HOSE SAE R2ATDN 1/2"X 700 FD-F90	SCHLAUCH R2AT 1/2" 700-FD-F90	TUBE SAE R2ATDN 1/2"X 700 FD-F90	TUBO SAE R2ATDN 1/2"X 700 FD-F90	1
011	19012009	NIPPO M-M 1/2"	COUPLING M-M 1/2"	NIPPL M-M 1/2"	JOINT M-M 1/2"	EMPALME M-M 1/2"	1
012	96508460	GUARNIZ. TIPO BONDED AUTOCENT. 1/2"	COPPER GASKET 21,5X27 (1/2")	KUPFERDICHTUNG 21,5 X 27 (1/2")	JOINT EN CUIVRE 21,5X27 (1/2")	JUNTA SECC. RECT. A21,5X 27 (1/2")	1
013	42012289	TUBO IDR R2AT 1/2" 1600-FD-F90	HYDR HOSE R2AT 1/2" 1600-FD-F90	HYDR.S. R2AT 1/2" 1600-FD-F90	TUYAU HYDR R2AT 1/2" 1600-FD-F90	TUBO HIDR R2AT 1/2" 1600-FD-F90	1
014	48112032	RACCORDO PASSAPARETE M1/2"-M1/2"	PANEL FEED-THROUGH FITTING M1/2"-M1/2"	ANSCHLUSS SCHOTTVERSCHRAUBUNG M1/2"-M1/2"	RACCORD PASSE-PAROI M1/2"-M1/2"	RACOR PASAMUROS M1/2"-M1/2"	2
015	97096011	ROSETTA PIANA 21,0X37X3,0 M20 ZN UNI6592	SMOOTH WASHER UNI 6592 - 20X37X3,0 ZN	GLATTE SCHEIBE UNI 6592 - 20X37X3 ZN	RONDELL.LISSE UNI 6592 - 20X37X3,0 ZN	ARANDELA PLANA UNI 6592-20,0X37X3,0 ZN	4
016	16903035	CARTUCCIA FILTRO OMT CS-05-B-N (25UM)	FILTER OMT T-05 CS-05-B-N	FILTER OMT T-05 CS-05-B-N	FILTRE OMT T-05 CS-05-B-N	FILTRO OMT T-05 CS-05-B-N	1
017	16903136	SUPPORTO CARTUCCIA FILTRO OMT T-05	FILTER CARTRIDGE SUPPORT OMT T-05	HALTERUNG EINSATZ FILTER OMT T-05	SUPPORT CARTOUCHE FILTRE OMT T-05	SOPORTE CARTUCHOS FILTRO OMT T-05	1
018	96508560	GUARNIZ. TIPO BONDED AUTOCENT. 3/4"	COPPER GASKET 27,1X32(3/4")	KUPFERDICHTUNG 27,1 X 32 (3/4")	JOINT EN CUIVRE 27,1X32(3/4")	JUNTA SECC. RECT. A27,1X 32 (3/4")	2
019	10512099	NIPPO DI RIDUZIONE M-M 3/4" - 1/2"	ADAPTING COUPLING M-M 1/2"-3/4" 6687744	REDUZIERNIPPL M-M 1/2"-3/4"	JOINT ADAPTEUR M-M 1/2"-3/4"	EMPALME REDUCTOR M-M 1/2"-3/4"	2
020	11012018	CURVA 90° COMPATTA M - F GIREV. 1/2"	COMPACT ROTARY 90° ELBOW M - F 1/2"	KRUEMMER 90°KOMPAKT M - F DREHBAR 1/2"	COUDE 90° COMPACT M-F ROTAT 1/2"	CURVA 90° COMPACTA M - H GIRATOR. 1/2"	1
021	47012058	TUBO IDR R2AT 1/2" 1100-FD-F90	HYD.HOSE R2AT 1/2" 1100-FD-F90	SCHLAUCH R2AT 1/2" 1100-FD-F90	TUYAU HYDR R2AT 1/2" 1100-FD-F90	TUBO HIDR R2AT 1/2" 1100-FD-F90	1
022	16912010	CURVA 90° COMP. M-M ORIENT. 1/2"	COMPACT 90° ELBOW M-M ADJUSTABLE 1/2"	KRUEMMER 90° KOMPAKT M-M DREHBAR 1/2"	COUDE 90° COMPACT M-M ORIENT. 1/2"	CURVA 90° COMPACTA M-M ORIENT. 1/2"	3
023	48300004	TUBO IDR R2AT 1/2" 500-FD-F90	HYD.HOSE R2AT 1/2" 500-FD-F90	SCHLAUCH R2AT 1/2" 500-FD-F90	TUYAU HYDR R2AT 1/2" 500-FD-F90	TUBO HIDR R2AT 1/2" 500-FD-F90	1
024	17912071	TAPPO RIDUZIONE M 1"1/4 - F 1/2"	REDUCTION CAP M 1"1/4 - F 1/2"	RED.PFROPFEN M 1"1/4 - F 1/2"	BOUCHON REDUCTION M 1"1/4 - F 1/2"	TAPON REDUCCION M 1"1/4 - F 1/2"	2
025	96508660	GUARNIZ. TIPO BONDED AUTOCENT. 1"1/4	COPPER GASKET 42X50 (1 1/4")	KUPFERDICHTUNG 42X50 (1 1/4")	JOINT EN CUIVRE 42X50 (1 1/4")	JUNTA SECC. RECT. A42 X 50 (1-1/4")	2
026	18712068	KIT SCAMBIATORE CON TERMOSTATO	EXCHANGER KIT WITH THERMOSTAT	KIT WARMETAUSCHER MIT THERMOSTAT	KIT ÉCHANGEUR AVEC THERMOSTAT	KIT INTERCAMBIADOR CON TERMOSTATO	1
027	18701308	SUPPORTO RADIATORE A31 FIRA	RADIATOR SUPPORT A31 FIRA	HALTERUNG KÜHLER A31 FIRA	SUPPORT RADIATEUR A31 FIRA	SOPORTE RADIADOR A31 FIRA	1
028	18701309	PARETE SUPPORTO RADIATORE CPL	RADIATOR SUPPORT WALL CPL	WAND HALTERUNG KÜHLUNG KPL	PAROI SUPPORT RADIATEUR CPL	PARED SOPORTE RADIADOR CPL	2
029	16912073	ANTIVIBRANTE EI 40X25 M8X23	ANTIVIBRATION EI 40X25 M8X23	SCHWINGUNGSFEST EI 40X25 M8X23	ANTIVIBRATOIRE EI 40X25 M8X23	ANTIVIBRANTE EI 40X25 M8X23	4

030	97094911	ROSETTA PIANA 08,4X16X1,6 M 8 ZN UNI6592	SMOOTH WASHER UNI 6592 - 08,4X16X1,6 ZN	GLATTE SCHEIBE UNI 6592 - 8,4X16X1,6 ZN	RONDELL.LISSE UNI 6592 - 08,4X16X1,6 ZN	ARANDELA PLANA UNI 6592- 08,4X16X1,6 ZN	10
031	97494831	RONDELLA UNI 9195 ELSP 8,1X14,8X2,3 ZN	WASHER ELSP ASA B- 27 - 08,2X14,8X2 ZN	SCHEIBE ELSP ASA B- 27 - 08,2X14,8X2 ZN	RONDELLE ELS ASA B- 27 - 08,2X14,8X2 ZN	ARANDELA ELSP ASA B-27- 8,2X14,8X2 ZN	10
032	97971721	DADO AUTOBLOC.BASSO M 8-65 UNI7474	LOW.SELFBLOCK.NUT M 8-65 UNI7474	SELBSTSICHER.MUTTER M 8-65 UNI7474 NIED.	ECROU AUTOSERR.M 8-65 UNI7474	TUERCA AUTO BLOQ. BAJA M 8-65 UNI7474	4
033	96605421	VITE TE M 8X 16 UNI 5739 8.8 ZN	BOLT TE M 08X016 UNI 5739 8.8 ZN	SCHRAUBE TE M 8 X 16 UNI 5739 8,8 ZN	VIS TE M 08X016 UNI 5739 8.8 ZN	TORNILLO TE M 8X 16 UNI 5739 8.8 ZN	4
034	97972521	DADO AUTOBLOC.BASSO M16-65 UNI7474	LOW.SELFBLOCK.NUT M 16-65 UNI7474	SELBSTSICHER.MUTTER M16-65 UNI7474 NIED.	ECROU AUTOSERR.M 16-65 UNI7474	TUERCA AUTO BLOQ. BAJA M 16-65 UNI7474	2
035	97495231	RONDELLA UNI 9195 ELSP 16,2X27,4X4 ZN	WASHER ELSP ASA B- 27 - 16,2X27,4X3,5 ZN	SCHEIBE ELSP ASA B-27 - 16,2X27,4X3,5 ZN	RONDELLE ELS ASA B- 27 - 16,2X27,4X3,5 Z	ARANDELA ELSP ASA B-27- 16,2X27,4X3,5 ZN	2
036	97093611	ROSETTA PIANA CARPENT. M16 ZN UNI5714	SMOOTH WASHER CARPENT.X M16 UNI 5714 ZN	GLATTE SCHEIBE F. M16 UNI 5714 ZN	RONDELL. LISSE CARPENT.X M16 UNI 5714 ZN	ARANDELA PLANA M16 UNI 5714 ZN	4
037	96615927	VITE TE M16X140 UNI 5737 8.8 ZN	BOLT TE M16X140 UNI 5737 8.8 ZN	SCHRAUBE TE M 16 X 140 UNI 5737 8,8 ZN	VIS TE M16X140 UNI 5737 8.8 ZN	TORNILLO TE M16X140 UNI 5737 8.8 ZN	2
038	97095111	ROSETTA PIANA 10,5X20X2,0 M10 ZN UNI6592	SMOOTH WASHER UNI 6592 - 10,5X21X2,0 ZN	GLATTE SCHEIBE UNI 6592 - 10,5X21X2 ZN	RONDELL.LISSE UNI 6592 - 10,5X21X2,0 ZN	ARANDELA PLANA UNI 6592- 10,5X21X2,0 ZN	13
039	97494931	RONDELLA UNI 9195 ELSP 10,2X18,1X2,6 ZN	WASHER ELSP ASA B- 27 - 10,2X18,1X2,2 ZN	SCHEIBE ELSP ASA B-27 - 10,2X18,1X2,2 ZN	RONDELLE ELS ASA B- 27 - 10,2X18,1X2,2 Z	ARANDELA ELSP ASA B-27- 10,2X18,1X2,2 ZN	13
040	96607631	VITE TE M10X 25 UNI 5739 10.9 ZN	HEX HEAD SCREW M10X 25 UNI 5739 10.9 GV	SCHRAUBE TE M10X 25 UNI 5739 10.9 ZN	VIS TH M10X 25 UNI 5739 10.9 ZN	TORNILLO TE M10X 25 UNI 5739 10.9 GALV	13
041	10412102	TUBO IDR R2AT 1/2" 900-FD-F90	HYDR. TUBE SAE R2ATDN 1/2"X 900 FD-F9	SCHLAUCH SAE R2ATDN 1/2"X 900 FD-F9	TUYAU HYDR SAE R2ATDN 1/2"X 900 FD-F9	TUBO HIDR SAE R2ATDN 1/2"X 900 FD-F9	1
042	10112075	TUBO IDR R2AT 1/2" 1800-FD-FD	HYDR HOSE R2AT 1/2" 1800-FD-FD	HYDR.S. R2AT 1/2" 1800-FD-FD	TUYAU HYDR R2AT 1/2" 1800-FD-FD	TUBO HIDR R2AT 1/2" 1800-FD-FD	2
044	96605621	VITE TE M 8X 25 UNI 5739 8.8 ZN	BOLT TE M 08X025 UNI 5739 8.8 ZN	SCHRAUBE TE M 8 X 25 UNI 5739 8,8 ZN	VIS TE M 08X025 UNI 5739 8.8 ZN	TORNILLO TE M 8X 25 UNI 5739 8.8 ZN	2
045	16501103	SUPPORTO FILTRO	FILTER SUPPORT	FILTERHALTERUNG	SUPPORT FILTRE	SOPORTE FILTRO	1
046	10613016	PRESSACAVI PG11 CON DADO	CABLE GLANDS PG11 WITH NUT	KABELVERSCHRAUBUNGEN PG11 MIT MUTTER	PRESSE-CÂBLES PG11 AVEC ECROU	PRENSAESTOPAS PG11 CON TUERCA	1
047	20013001	CAVO RADIATORE CON CONN 3 POLI + TERRA	RADIATOR CABLE WITH 3-POLE CONN EARTH	KÜHLERKABEL M. 3- POLIG.STECKER ERDUNG	CÂBLE RADIAT. AVEC CONN 3 PÔLES TERRE	CABLE RADIADOR CON CONE 3 POLI TIERRA	1

**seppi m.**

15-0012



Pos.	Code	Descrizione	Description	Beschreibung	Description	Descripción	Quantity
001	17215050	TUBO RULLO CPL L=250	CPL ROLLER HOSE L=250	KPL WALZENSCHL. L=250	TUYAU ROULEAU CPL L=250	TUBO RODILLO CPL L=250	1
002	18715075	BRACCIO DX X RULLO COMPATT	RH ARM X COMPACTING ROLLER	RECHTER ARM FUER WALZE VERDICHTUNG	BRAS DROIT POUR ROULEAU COMPACT.	BRAZO DER X RODILLO COMPACT.	1
003	18715074	BRACCIO SX X RULLO COMPATT	LH ARM X COMPACTING ROLLER	LINKER ARM FUER WALZE VERDICHTUNG	BRAS GAUCHE POUR ROULEAU COMPACT	BRAZO IZQ X RODILLO COMPACT.	1
004	17215054	TRAVERSA COLLEGAMENTO RULLO CPL L=250	ROLLER CONNECTION BEAM CPL 250	QUERROHR VERBINDUNG WALZE KPL 250	TRVERSE RACCORDEMENT ROULEAU CPL 250	TRAVESADO CONEXIÉN DEL RODILLO CPL 250	1
005	19702130	SUPP.CUSC.ROTORE SENZA GOLA DIA. 120	SUPP.BEAR.F.ROTOR NO PIPE DIA. 120	LAGERHALTER F. ROTOR OHNE RILLE DM 120	SUPP.ROULEM.P.ROT.SANS TUBE DIA 120	SOPORTE COJINETE ROTOR SIN BOCA DIA.120	1
006	19702054	SUPP.CUSC.ROTORE CON GOLA DIA.120	SUPPORT support FOR ROTOR W.PIPE DIA.120	LAGERHALTER F. ROTOR MIT RILLE DM 120	SUPPORT ROULEMENT P.ROTOR A.TUBE DIA 120	SOPORTE COJINETE ROTOR CON BOCA DIA.120	1
007	19503016	ANELLO DI TENUTA 65 X100 X10	OIL SEAL 65 X100 X10	DICHTUNGSRING 65 X100 X10	BAGUE ETACH. 65 X100 X10	RETEN 65 X100 X10	2
008	19702059	CUSCINETTO 22311 E 55X120X43 OR.RULLI	bearing 22311 E 55X120X43 OR.RULLI	VERST. ROLLENLAGER 22311 E 55X120X43	ROULEMENT 22311 E 55X120X43 OR.RULLI	RODAMIENTO 22311 E 55X120X43 RODILLOS	2
009	19702060	ANELLO DI TENUTA 80 X120 X13	OIL SEAL 80 X120 X13	DICHTUNGSRING 80 X120 X13	BAGUE ETACH. 80 X120 X13	RETEN 80 X120 X13	2
010	97284280	ANELLO O-RING OR 139/3218 55,25X2,62	OIL SEAL OR 139/3218 55,25X2,62	O-DICHTUNGSRING 139/3218 55,25 X 2,62	BAGUE ETACH. OR 139/3218 55,25X2,62	RETEN 139/3218 55,25X2,62	2
011	19702056	DISTANZIALE D55 X D80 L=18 LATO MOZ CORT	SPACER SHORT HUB SIDE L= 18	DISTANZBUECHSE SEITE KURZE NABE L=18	ENTRET.COTE DU MOYEU COURT L= 18	RETEN LADO CUBO CORTO L= 18	2
012	96868076	ANELLO EL. PER ALBERI 55X2	ELASTIC RING FOR SHAFTS 55X2	WELLENSPANNRING 55X2	BAGUE ARRET POUR ARBRES 55X2	RETEN EL.P.EJES 55X2	2
013	98048316	ANELLO DI SPALLAMENTO 100 X120 X1	SPACER 100X120X1	DISTANZSCHEIBE 100X120X1	BAGUE D'EPOULEMENT 100X120X1	RETEN DE APOYO 100X120X1	1
014	96876276	ANELLO EL. PER FORI 120X4	EL.RING F.HOLES 120X4	SEEGERRING F.LOECHER 120X4	BAGUE ARRET P.TROUS 120X4	RETEN EL.P.ORIFIC. 120X4	1
015	96614721	VITE TE M16X 45 UNI 5739 8.8 ZN	BOLT TE M 16X045 UNI 5739 8.8 ZN	SCHRAUBE TE M 16 X 45 UNI 5739 8,8 ZN	VIS TE M 16X045 UNI 5739 8.8 ZN	TORNILLO TE M16X 45 UNI 5739 8.8 ZN	16
016	97495231	RONDELLA UNI 9195 ELSP 16,2X27,4X4 ZN	WASHER ELSP ASA B- 27 - 16,2X27,4X3,5 ZN	SCHEIBE ELSP ASA B-27 - 16,2X27,4X3,5 ZN	RONDELLE ELS ASA B- 27 - 16,2X27,4X3,5 Z	ARANDELA ELSP ASA B-27- 16,2X27,4X3,5 ZN	28
017	97095711	ROSETTA PIANA 17,0X30X3,0 M16 ZN UNI6592	SMOOTH WASHER UNI 6592 - 16X30X3,0 ZN	GLATTE SCHEIBE UNI 6592 - 16X30X3 ZN	RONDELL.LISSE UNI 6592 - 16X30X3,0 ZN	ARANDELA PLANA UNI 6592- 16,0X30X3,0 ZN	20
018	96611821	VITE TE M14X 50 UNI 5737 8.8 ZN	BOLT TE M 14X050 UNI 5737 8.8 ZN	SCHRAUBE TE M 14 X 50 UNI 5737 8,8 ZN	VIS TE M 14X050 UNI 5737 8.8 ZN	TORNILLO TE M14X 50 UNI 5737 8.8 ZN	4
020	97972521	DADO AUTOBLOC.BASSO M16-6S UNI7474	LOW.SELFBLOCK.NUT M 16-6S UNI7474	SELBSTSICHER.MUTTER M16-6S UNI7474 NIED.	ECROU AUTOSERR.M 16-6S UNI7474	TUERCA AUTO BLOQ. BAJA M 16-6S UNI7474	12
021	17115076	PERNO D40 X 166 CON FORO D11 RETT H6	PIN D40X166 WITH BORE D11 RECT H6	BOLZEN D40 F.166 M.BOHRUNG D11 RECHTECKI	PIVOT D40X166 AVEC TROU D11 RECT H6	PERNO D40X166 CON AGUJERO D11 RECT H6	2
022	97036611	INGRASS DIRITTO UNI 71412 AM 6X1(5-8CH7	GREASE NIPPLE UNI 7663 AM 6-5.8	SCHMIERNIPPEL UNI 7663 AM 6X1(5-8)	GRAISSEUR UNI 7663 AM 6-5.8	LUBRICADOR UNI 7663 AM 6X1(5-8CH7	4
023	10515131	CILINDRO HYD 80X40X500 (840-1340)+V	HYDR. CYL. 80X40X500 + BLOCK. VALVE	HYDRAUL. ZYLINDER 90X40X500 + VENTIL	CYL.HYDR. 80X40X500 +VALV.OVERCENTER	CILINDRO HIDR. 80X40X500 (840-1340) +VAL	2
024	21004040	PERNO CON GOCCIA D30X 95 INT=45 M10	PIN WITH PLATE D 30X 95 INT=45	BOLZEN M.PLATTE D 30X 95 INT=45	GOUJON A.PLAQUE D 30X 95 INT=45	PERNO CON PLACA D 30X 95 INT=45	2
025	97971821	DADO AUTOBLOC.BASSO M10-6S UNI7474	LOW.SELFBLOCK.NUT M 10-6S UNI7474	SELBSTSICHER.MUTTER M10-6S UNI7474 NIED.	ECROU AUTOSERR.M 10-6S UNI7474	TUERCA AUTO BLOQ. BAJA M 10-6S UNI7474	2
026	96608721	VITE TE M10X 90 UNI 5737 8.8 ZN	BOLT TE M 10X090 UNI 5737 8.8 ZN	SCHRAUBE 10X090 UNI 5737 8.8 ZN	VIS TE M 10X090 UNI 5737 8.8 ZN	TORNILLO TE M10X 90 UNI 5737 8.8 ZN	2
027	19004034	PERNO CON GOCCIA D30X135 INT=45 M10	PIN WITH PLATE D 30X135 INT=45	BOLZEN M.PLATTE D 30X135 INT=45	GOUJON A.PLAQUE D 30X135 INT=45	PERNO CON PLACA D 30X135 INT=45	2
028	97095111	ROSETTA PIANA 10,5X20X2,0 M10 ZN UNI6592	SMOOTH WASHER UNI 6592 - 10,5X21X2,0 ZN	GLATTE SCHEIBE UNI 6592 - 10,5X21X2 ZN	RONDELL.LISSE UNI 6592 - 10,5X21X2,0 ZN	ARANDELA PLANA UNI 6592- 10,5X21X2,0 ZN	15
029	97494931	RONDELLA UNI 9195 ELSP 10,2X18,1X2,6 ZN	WASHER ELSP ASA B- 27 - 10,2X18,1X2,2 ZN	SCHEIBE ELSP ASA B-27 - 10,2X18,1X2,2 ZN	RONDELLE ELS ASA B- 27 - 10,2X18,1X2,2 Z	ARANDELA ELSP ASA B-27- 10,2X18,1X2,2 ZN	14
030	96607621	VITE TE M10X 25 UNI 5739 8.8 ZN	BOLT TE M 10X025 UNI 5739 8.8 ZN	SCHRAUBE TE M 10 X 25 UNI 5739 8,8 ZN	VIS TE M 10X025 UNI 5739 8.8 ZN	TORNILLO TE M10X 25 UNI 5739 8.8 ZN	4
031	17215041	COPERTURA VALVOLA DI BLOCCO SX	LH BLOCK VALVE COVER	ABDECKUNG SPERRVENTIL LINKS	COUVERTURE SOUPAPE DE BLOCAGE GAUCHE	COBERTURA DE VÁLVULA DE BLOQUEO IZQ	1

032	17215043	COPERTURA VALVOLA DI BLOCCO DX	RH BLOCK VALVE COVER	ABDECKUNG SPERRVENTIL RECHTS	COUVERTURE SOUPAPE DE BLOCAGE DROITE	COBERTURA DE VÁLVULA DE BLOQUEO DER	1
033	96605421	VITE TE M 8X 16 UNI 5739 8.8 ZN	BOLT TE M 08X016 UNI 5739 8.8 ZN	SCHRAUBE TE M 8 X 16 UNI 5739 8,8 ZN	VIS TE M 08X016 UNI 5739 8.8 ZN	TORNILLO TE M 8X 16 UNI 5739 8.8 ZN	8
034	97094911	ROSETTA PIANA 08,4X16X1,6 M 8 ZN UNI6592	SMOOTH WASHER UNI 6592 - 08,4X16X1,6 ZN	GLATTE SCHEIBE UNI 6592 - 8,4X16X1,6 ZN	RONDELL. LISSE UNI 6592 - 08,4X16X1,6 ZN	ARANDELA PLANA UNI 6592- 08,4X16X1,6 ZN	11
035	96508360	GUARNIZ. TIPO BONDED AUTOCENT. 3/8"	COPPER GASKET 17 X 22(3/8")	KUPFERDICHTUNG 17 X 22 (3/8")	JOINT EN CUIVRE 17 X 22(3/8")	JUNTA SECC. RECT. A17 X 22 (3/8")	10
036	42012059	TAPPO RIDUZIONE M 3/8" - F 1/4"	SHAFT M 3/8" - F 1/4" L=33	ANPASSUNGSTUECK M 3/8" - F 1/4" L=33	PROLONGE M 3/8" - F 1/4" L=33	PROLONGACION M 3/8" - F 1/4" L=33	4
037	20012009	CURVA 90° COMP. M-M ORIENT. 1/4"	JOIN 90° M-M GIREVOLE 1/4" + GUARNIZ.	KNIE 90° M-M DREHBAR 1/4" + DICHTUNG	CONNECTIONS 90° M-M GIREVOLE 1/4" + GUAR	CONNECTIONS 90° M-M GIREVOLE 1/4" + GUAR	6
039	10412031	TUBO IDR R2AT 1/4" 2500-FD-FD	HYDR. TUBE SAE R2ATDN 1/4"X 2500 FD-FD	SCHLAUCH SAE R2ATDN 1/4"X 2500 FD-FD	TUYAU HYDR SAE R2ATDN 1/4"X 2500 FD-FD	TUBO HIDR SAE R2ATDN 1/4"X 2500 FD-FD	2
039	32312042	TUBO IDR R2AT 1/4" 2800-FD-FD	HYD. HOSE R2AT 1/4" 2800-FD- FD	HYD SCHLAUCH R2AT 1/4" 2800- FD-FD	TUBE HYDR R2AT 1/4" 2800-FD- FD	TUBO HIDR R2AT 1/4" 2800-FD-FD	2
040	10412152	NIPPLO DI RIDUZIONE M-M 3/8" - 1/4"	ADAPTING COUPLING M-M 1/4"- 3/8"	REDUZIERNIPPL M-M 1/4"-3/8"	JOINT ADAPTEUR M-M 1/4"-3/8"	EMPALME REDUCTOR M-M 1/4"-3/8"	2
041	36912014	DIVISORE DI FLUSSO RIUNIF.50- 50 DFR38-03	FLOW DIVIDER COMBINER 50-50 DFR38-03	REGELV. FOERDERM. GENORMT 50-50 DFR38-03	DIVISEUR DE FLUX RÉUNIF.50-50 DFR38-03	DIVISOR DE FLUJO REUNIF.50-50 DFR38-03	1
042	96689821	VITE TCEI M 6X 50 UNI 5931 8.8 ZN	SOCKET HEAD SCREW M 6X 50 UNI 5931 8.8 G	SCHRAUBE TCEI M 6X 50 UNI 5931 8.8 ZN	VIS CHC M 6X 50 UNI 5931 8.8 ZN	TORN.ALLEN M 6X 50 UNI 5931 8.8 GALV.	2
043	97494731	RONDELLA UNI 9195 ELSP 6,1X11,8X1,6 ZN	WASHER ELSP ASA B- 27 - 06,1X11,8X1,6 ZN	SCHEIBE ELSP ASA B-27 - 06,1X11,8X1,6 ZN	RONDELLE ELS ASA B- 27 - 06,1X11,8X1,6 Z	ARANDELA ELSP ASA B-27- 6,1X11,8X1,6 ZN	2
046	19012008	NIPPLO M-M 3/8"	COUPLING M-M 3/8"	ANSCHLUSS STUECK - M 3/8"	JOINT M-M 3/8"	EMPALME M-M 3/8"	4
047	10412104	TUBO IDR R2AT 3/8" 600-FD-F45	HYDR. TUBE SAE R2ATDN 3/8"X 600 FD-F4	SCHLAUCH SAE R2ATDN 3/8"X 600 FD-F4	TUYAU HYDR SAE R2ATDN 3/8"X 600 FD-F4	TUBO HIDR SAE R2ATDN 3/8"X 600 FD-F4	2
049	96508460	GUARNIZ. TIPO BONDED AUTOCENT. 1/2"	COPPER GASKET 21,5X27 (1/2")	KUPFERDICHTUNG 21,5 X 27 (1/2")	JOINT EN CUIVRE 21,5X27 (1/2")	JUNTA SECC. RECT. A21,5X 27 (1/2")	4
050	17712029	RACCORDO PASSAPARETE M3/8"- M3/8"	PANEL FEED-THROUGH FITTING M3/8"-M3/8"	ANSCHLUSS SCHOTTVERSCHRAUBUNG M3/8"- M3/8"	RACCORD PASSE-PAROI M3/8"- M3/8"	RACOR PASAMUROS M3/8"-M3/8"	2
051	16912024	TUBO IDR R2AT 3/8" 1500-FD-FD	HYDR. TUBE SAE R2ATDN 3/8"X 1500 FD-FD	SCHLAUCH SAE R2ATDN 3/8"X 1500 FD-FD	TUYAU HYDR SAE R2ATDN 3/8"X 1500 FD-FD	TUBO HIDR SAE R2ATDN 3/8"X 1500 FD-FD	2
052	42012004	NIPPLO DI RIDUZIONE M-M 1/2" - 3/8"	ADAPTING COUPLING M-M 1/2"- 3/8"	REDUZIERNIPPL M-M 1/2"-3/8"	JOINT ADAPTEUR M-M 1/2"-3/8"	EMPALME REDUCTOR M-M 1/2"-3/8"	4
053	19412004	INNESTO RAPIDO A FUNGHETTO BIR 1/2" M	"FASTER" CLUTCH 1/2"M	SCHNELLKUPPLUNG "FASTER" 1/2"M	EMBAYAGE RAPID "FASTER" 1/2"M	EMBRAGUE RAPIDO "FASTER" 1/2" MACHO	2
057	96607721	VITE TE M10X 30 UNI 5739 8.8 ZN	BOLT TE M 10X030 UNI 5739 8.8 ZN	SCHRAUBE TE M 10 X 30 UNI 5739 8,8 ZN	VIS TE M 10X030 UNI 5739 8.8 ZN	TORNILLO TE M10X 30 UNI 5739 8.8 ZN	4
058	20012019	GUAINA DI PROTEZIONE D.32 L=2100	PROTECTION SHEATH D.32 L=2100	SCHUTZHUELLE D. 32 L=2100	GAINE DE PROT. D.32 L=2100	VAINA PROTECCION D.32 L=2100	2
060	19702058	SUPPORTO CPL. ROTORE SENZA BATTUTA	CPL SUPPORT FOR ROTOR WITHOUT RABBET	KPL. ROTORHALTER OHNE ANSCHLAG	SUPPORT CPL POUR ROTOR SANS FEUILLURE	SOPORTE CPL. ROTOR SIN RANURA	1
061	19702057	SUPPORTO CPL. ROTORE CON BATTUTA	CPL SUPPORT F. ROTOR WHIT RABBET	KPL. ROTORHALTER MIT ANSCHLAG	SUPPORT CPL P. ROTOR AVEC FEUILLURE	SOPORTE CPL. ROTOR CON RANURA	1
063	17215060	RASCHIARULLO CPL L=250	ROLLER SCARWITH CPL L=250	WALZENABSTREIFER L=250	RATEAUX CPL L=250	RASCA RODILLO CPL L=250	1
069	97093311	ROSETTA PIANA CARPENT. M14 ZN UNI5714	SMOOTH WASHER M 14 UNI 5714 ZN	GLATTE SCHEIBE F. M 14 UNI 5714 ZN	RONDELLE LISSE M 14 UNI 5714 ZN	ARANDELA PLANA M14 UNI 5714 ZN	4
072	97093611	ROSETTA PIANA CARPENT. M16 ZN UNI5714	SMOOTH WASHER CARPENT.X M16 UNI 5714 ZN	GLATTE SCHEIBE F. M16 UNI 5714 ZN	RONDELL. LISSE CARPENT.X M16 UNI 5714 ZN	ARANDELA PLANA M16 UNI 5714 ZN	24
073	96615721	VITE TE M16X120 UNI 5737 8.8 ZN	BOLT TE M16X120 UNI 5737 8.9 GV	SCHRAUBE TE M16X120 UNI 5737 8.8 ZN	VIS TH M16X120 UNI 5737 8.8 ZN	TORNILLO TE M16X120 UNI 5737 8.8 GALV.	12
075	10412017	TUBO IDR R2AT 3/8" 370-FD-F90	TUBE R2AT 3/8"-370-FD-F90	SCHLAUCH R2AT 3/8"-370-FD- F90	TUYAU R2AT 3/8"-370-FD-F90	TUBO R2AT 3/8"-370-FD-F90	1
077	13012035	RACCORDO A "T" FFF GIR. 1/2"	ROTARY TEE FITTING 1/2" F	T-ANSCHLUSS 1/2" F DREHBAR	RACCORD EN « T » 1/2" F ROTATIF	RACOR DE "T" 1/2" H GIRATORIO	1
078	17212030	LAMIERA SOSTENGO DIVISORE AD INGR.	SUPPORT PLATE	HALERUNGS BLECH	PLAQUE SUPPORT	PLACA SOPORTE	1
079	18712054	DIVISORE HPLDF2211G6G4BVE200	DIVIDER HPLDF2211G6G4BVE200	REGELVENTIL HPLDF2211G6G4BVE200	VALVE DE RÉGUL. FLUX HPLDF2211G6G4BVE200	DIVISOR HPLDF2211G6G4BVE200	1

080	10512099	NIPPO DI RIDUZIONE M-M 3/4" - 1/2"	ADAPTING COUPLING M-M 1/2"-3/4" 6687744	REDUZIERNIPPL M-M 1/2"-3/4"	JOINT ADAPTEUR M-M 1/2"-3/4"	EMPALME REDUCTOR M-M 1/2"-3/4"	1
081	48120018	TAPPO RIDUZIONE M 1/2" - F 1/4"	ADAPTING COUPLING M 1/2"-F1/4"	REDUZIERSTUECK M 1/2" - F1/4"	JOINT ADAPTEUR M 1/2"-F1/4"	EMPALME DE REDUCCION M 1/2" - F1/4"	2
082	96508560	GUARNIZ. TIPO BONDED AUTOCENT. 3/4"	COPPER GASKET 27,1X32(3/4")	KUPFERDICHTUNG 27,1 X 32 (3/4")	JOINT EN CUIVRE 27,1X32(3/4")	JUNTA SECC. RECT. A27,1X 32 (3/4")	1
083	96607521	VITE TE M10X 20 UNI 5739 8.8 ZN	BOLT TE M 10X020 UNI 5739 8.8 ZN	SCHRAUBE TE M 10X20 UNI 5739 8,8 ZN	VIS TE M 10X020 UNI 5739 8.8 ZN	TORNILLO TE M10X 20 UNI 5739 8.8 ZN	4
084	98047716	ANELLO DI SPALLAMENTO 100 X120 X2	SPACER 100 X120 X2	DISTANZSCHEIBE 100 X 120 X 2	BAGUE D'EPOULEMENT 100 X120 X2	RETEN DE APOYO 100 X120 X2	1
085	48112036	CURVA 90° COMP. M-M ORIENT. 3/8"	COMPACT 90° ELBOW M-M ADJUSTABLE 3/8"	KRUEMMER 90° KOMPAKT M-M DREHBAR 3/8"	COUDE 90° COMPACT M-M ORIENT.3/8"	CURVA 90° COMPACTA M-M ORIENT.3/8"	2
086	16812023	VALVOLA OVERCENTER LHV2S 16A01C013M03Y	OVERCENTER VALVE LHV2S 16A01C013M03Y	OVERCENTER VENTIL LHV2S 16A01C013M03Y	VANNE OVERCENTER LHV2S 16A01C013M03Y	VALVULA OVERCENTER LHV2S 16A01C013M03Y	1
087	42012290	TUBO IDR R2AT 3/8" 600-FD-F90	HYD. HOSE R2AT 3/8" 600-FD-F90	SCHLAUCH R2AT 3/8" 600-FD-F90	TUBE HYDR. R2AT 3/8" 600-FD-F90	TUBO HIDR R2AT 3/8" 600-FD-F90	1
087	96606021	VITE TE M 8X 45 UNI 5739 8.8 ZN	BOLT TE M 08X045 UNI 5739 8.8 ZN	SCHRAUBE TE M 8 X 45 UNI 5739 8,8 ZN	VIS TE M 08X045 UNI 5739 8.8 ZN	TORNILLO TE M 8X 45 UNI 5739 8.8 ZN	3
089	10412046	TUBO IDR R2AT 3/8" 600-FD-FD	HYDR. TUBE SAE R2ATDN 3/8"X 600 FD-FD	SCHLAUCH SAE R2ATDN 3/8"X 600 FD-FD	TUYAU HYDR SAE R2ATDN 3/8"X 600 FD-FD	TUBO HIDR SAE R2ATDN 3/8"X 600 FD-FD	1